

**Owner's Manual
And
Assembly Instructions**



Madison

Model: 1-AP015

Rev. 06/28/05



Adventure Playsets

Amarillo Texas 79119

Thank you for purchasing an Adventure Playsets Playcenter. We hope it will bring you and your children many years of safe and enjoyable backyard fun.

Table of Contents

Letter to Customer	2
Positioning Your Playcenter	3
Tools Required for Assembly	3
Helpful Installation Hints	4
Suggested Playground Surfacing	5
Operating Instructions	6
Maintenance Instructions	7
Disposal Instructions	7
CPSC Information Sheet	8
Assembly Instructions	9
Frequently Asked Questions	30
Customer Notes	31
Limited Warranty	33
Warranty Claim Procedure	34
Customer Registration Card	35

Your owner's manual should be read carefully before starting assembly.

Dear Customer:

Thank you for purchasing an Adventure Playsets Playcenter. We hope it will bring you and your children many years of safe and enjoyable backyard fun. Adventure Playsets equipment is recommended for use by **children 3 to 10 years of age**. Adventure Playsets structures are **not intended for public use**. **Adventure Playsets does not warranty any of its residential structures subjected to commercial use.**



WARNING: This Symbol points out important safety instructions which, if not followed, could endanger the personal safety of yourself and your children and/or damage your property. You **MUST** read and follow all instructions in this manual before attempting to use this playcenter.



WARNING: Children must **NOT** use this playcenter until unit has been completely assembled and inspected by an adult to insure set has been properly installed and anchored.

Please follow all recommendations below. **Failure to do so may result in the warranty being void and/or safety violations that could result in serious injury.** The following information has been provided to help you in your installation, continued satisfaction, and safe operation of your Adventure Playsets purchase.

Always keep the safety of your children in mind as your play structure is being built and as your children play on the set. Before your children play on the set please review the Operation Instructions with them to help ensure their safety.

PLEASE RETAIN THESE INSTRUCTIONS FOR FUTURE REFERENCE.
KEEP THEM IN A SAFE PLACE WHERE YOU CAN REFER TO THEM AS NEEDED.

Please do NOT return the playcenter to the retailer from which it was purchased, without first contacting Customer Service.

General Information:

Please take time and fill out the information below. This information will be needed for warranty issues.

Date of Purchase: _____ **Date stamped on box:** _____

Manufacturer: Adventure Playsets **Vendor:** _____
14201 Interstate 27 _____
Amarillo, TX 79119 _____
Ph. #: 1-800-856-4445 _____
Fax: 806-622-1515 _____
E-mail: custservice@adventureplaysets.com
Website: <http://www.adventureplaysets.com>

Unit Type:

Unit Name: Madison Revision Date: 11/15/04

Unit Model Number: 1-AP015







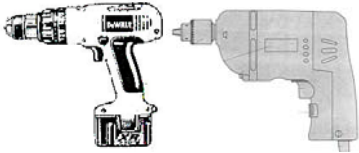



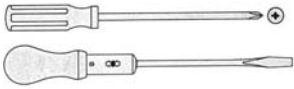

Maximum Fall Height: 8'-4"

The instructions and owner's manual for your new Playcenter should be read in its entirety before assembly, to minimize problems and safety issues. We recommend reading the owner's manual thoroughly after you have identified all of the parts for your Playcenter as discussed in the Helpful Installations Hints section below.

Positioning Your Play center

1. The Playcenter is designed to be installed on a level surface **by an Adult with an Adult helper**. Try to place in a flat area of your yard to minimize ground preparation.
2. Place the equipment not less than 6 ft from any structure or obstruction such as a fence, garage, house, overhanging branches, laundry lines, or electrical wires.
3. It is a good idea to place your Playcenter in an area that is convenient for adults to watch children at play.
4. The area that you choose should be policed for glass, rocks or anything jagged or sharp that could endanger your children's safety. The surface underneath your play system can cause or prevent injuries. We have additional suggestions in the Suggested Playground Surfacing Section.
5. Do not build your playset on top of surfacing material.

Tools Required for Installation:

		
(Level 24")	(Open end Wrenches 1/2" & 7/16")	(Nut drivers 1/2" & 9/16")
		
(Tape Measure)	(3/8" Drive Ratchet, 1/2" & 9/16" std sockets 1/2" & 9/16 deep sockets)	(Claw Hammer)
		
(3/8" Cordless Drill or Electric drill)	(3/16", 5/16" & 3/8" drill bits)	(Drill attachments: Phillips head screw 3/8" Socket Driver Torque head screw)
		
(An Adult w/an Adult helper)	(Phillips & Straight Blade screw drivers)	(Rubber Mallet –Optional)

Helpful Installation Hints

1. Depending on your experience, assembly of this Play set should take approximately 6 to 12 hours after inventory of parts. Therefore, we recommend you set aside a full day for assembly.
2. Identify all of the parts for your Playcenter. Empty each box and lay out boards so you can see each part. Your instruction book will have detailed drawings that will make it easy for you to recognize individual parts. Keep all hardware and metal parts separate from wooden pieces.
3. After everything is laid out, check carefully to ensure all parts are present. Make sure there are no broken boards.
4. Find an area to sort your hardware. It is best to open the hardware on a solid surface so that you do not lose any pieces in the grass. This will save time and familiarize you with all the different pieces in the hardware bag.
5. Important note: Wood has some natural defects such as knots, surface cracks, etc... We reject parts that are structurally defective. We use a high quality lumber in our structures; however, you should inspect each part for splinters or rough spots and sand them smooth to prevent injury.
6. After steps 1 thru 4 have been completed, read all the way through the instructions completely. Reading instructions after you have studied the parts will help you understand more clearly the installation process, and help to eliminate unnecessary mistakes.
7. Pay close attention to the diameter and length of each bolt and screw. There will be different sizes in the same bag, so they must be sorted correctly.
8. Swing hangers should be buried past the threads, so that the loop is against the swing beam. Adventure Playsets is not responsible for incorrect installations of swing hangers. Failure to properly install swing hangers may cause severe injury.
9. Never tighten hardware completely at first. It helps to have some adjustment for bolt alignment while you are attaching parts together. After everything is square, tighten each joint.
10. After the main unit is assembled it is critical that the floor is level and square. If the main frame is not level, the walls and floor will be out of square.
11. After you complete installation, make sure every bolt, screw, and nut is tight, and every board is secure. Wood will expand and contract with the seasons. Check all bolt connections and swing hangers every two weeks.
12. Place the set on level ground, not less than 6ft from any structure or obstruction such as a fence, garage, house, overhanging branches, laundry lines, or electrical wires.



READ! VERY IMPORTANT!

If you are missing parts or have questions regarding the installation of our quality product PLEASE DO NOT contact the retailer that you purchased this product from. Please call us directly at the factory (1-800-856-4445). Our trained staff will be happy to assist you.

**Customer service hours: Monday thru Friday 8am-5pm Saturday 9am-2pm
Central Standard Time.**

E-mail: custservice@adventureplaysets.com

ATTENTION: UK CUSTOMERS

We thank you for purchasing our excellent quality play equipment. We are sure that you will be satisfied with your selection. However, should you experience any problems or require any advice, do not return the item to the store, please contact our European Customer Service Number below. To ensure a prompt and efficient handling of your query please have your assembly instructions ready when you call.



Tel: 08700 170580 or email us at info@plumproducts.com

Suggested Playground Surfacing

- ❑ Playground equipment should never be placed on hard surfaces such as concrete or asphalt.
- ❑ Shredded bark mulch, wood chips, fine sand and fine gravel, are added as shock absorbing materials after assembly. If used properly these materials can absorb some of the impact of a child's fall.
- ❑ All surface material should extend a minimum of 6 feet in all directions around the play area.

The following chart explains the fall height in feet from which a life threatening head injury would not be expected

Critical Heights in feet (m) of Tested Materials

Material	Uncompressed Depth			Compressed Depth
	6" (152mm)	9" (228mm)	12" (304mm)	to 9" (228mm)
Wood Chips	7' (2.13m)	10' (3.05m)	11' (3.35m)	10' (3.05m)
Double-Shredded bark mulch	6' (1.83m)	10' (3.05m)	11' (3.35m)	7' (2.13m)
Engineered Wood Fibers	6' (1.83m)	7' (2.13m)	>12' (3.66m)	6' (1.83m)
Fine Sand	5' (1.52m)	5' (1.52m)	9' (2.74m)	5' (1.52m)
Coarse Sand	5' (1.52m)	5' (1.52m)	6' (1.83m)	4' (1.22m)
Fine Gravel	5' (1.52m)	7' (2.13m)	10' (3.05m)	6' (1.83m)
Medium Gravel	5' (1.52m)	5' (1.52m)	6' (1.83m)	5' (1.52m)
Shredded Tires*	10-12' (3.0-3.6m)	N/A	N/A	N/A

*This data is from tests conducted by independent testing laboratories on a 6-inch depth of uncompressed shredded tire samples produced by four manufacturers. The tests reported critical heights, which varied from 10 feet to greater than 12 feet. It is recommended that persons seeking to install shredded tires as a protective surface request test data from the supplier showing the critical height of the material when it was tested in accordance with ASTM F1292.

Operating Instructions:



NOTE: Your children's safety is our #1 concern. Observing the following statements and warnings reduces the likelihood of serious or fatal injury. Please review these safety rules regularly with your children.

1. This Playcenter is designed for the use of 3 occupants who have a combined weight not exceeding 280 pounds.
2. On-site adult supervision is **required**.
3. Instruct children **not** to walk close to, in front of, behind, or between moving swings or other moving playground equipment.
4. Instruct children to sit in and **never** stand on swings
5. Instruct children **not** to twist the chains and ropes and not to loop them over the top support bar, since this may reduce the strength of the chain or rope.
6. Instruct children **not** to jump from swings or other playground equipment in motion.
7. Instruct children to **not push** empty seats. The seat may hit them and cause serious injury.
8. Instruct and teach children to sit in the center of the swings with their full weight on the seats.
9. Instruct children **not** to use the equipment in a manner other than intended.
10. Instruct children to **always** go down slides feet first. Never slide headfirst.
11. Instruct children to **look** before they slide to make sure no one is at the bottom.
12. Instruct children to **never** run up a slide, as this increases their chances of falling.
13. The parents should have the children **dress appropriately** with well-fitting shoes. Loose clothing such as scarves and ponchos should not be worn. Always take off, tie up or tuck in cords and drawstrings on children's clothing. These things can get caught on playground equipment and strangle a child.
14. Instruct children **not** to climb when the equipment is wet.
15. Instruct children to **never** jump from a fort deck. They should always use the ladder, ramp or slide.
16. Instruct children to **never** crawl or walk across the top of monkey bars.
17. Instruct children to **never** crawl on top of a fort roof.
18. Verify that any suspended climbing ropes, chain, or cable are secured at both ends and that they cannot be looped back on it.
19. Instruct children **not** to attach items to the playground equipment that are not specifically designed for use with the equipment, such as, but not limited to, jump ropes, clothesline, pet leashes, cables and chain as they may cause a strangulation hazard.
20. Instruct children to **never** use Monkey Bar when swings or glider are in use.
21. Instruct children to **never** wrap their legs around swing chain.
22. Instruct children to **never** slide down the swing chain.

Maintenance Instructions:

1. Check all nuts and bolts twice monthly during the usage season and tighten as required. (But not so tight that you crack the wood) We recommend you check the swing beam and hardware every two weeks due to wood expansion and contraction. It is particularly important that this procedure be followed at the beginning of each season.
2. Remove plastic swing seats and take indoors or do not use when the temperature drops below 32 °F.
3. Oil all metallic moving parts monthly during the usage period.
4. Check all coverings for bolts and sharp edges twice monthly during usage season to be certain they are in place. Replace when necessary. It is especially important to do this at the beginning of each new season.
5. Check swing seats, ropes, cables and chains monthly during usage season for evidence of deterioration. Replacement should be made of any swing seat that has developed cracks in the plastic seats or has exposed metal in the edges of the swing seat. If there are already exposed metal inserts on the edge of the seat, immediately remove the seats and chains to prevent serious injury. Ropes, cables and chains should be removed and replaced if excessive wear is found. Contact Adventure Playsets for replacement parts.
6. For rusted areas on metallic members such as monkey bars, hand supports, brackets, etc., sand and repaint, using a non lead-based paint meeting the requirements of Title 16 CRF Part 1303.
7. Inspect wood parts monthly. The grain of the wood sometimes will lift in the dry season causing splinters to appear. Light sanding may be necessary to maintain a safe playing environment. If you are treating your Playcenter with stain regularly, it will help prevent severe checking/splitting and other weather damage.
8. We recommend treating the wood components once or twice a year depending on the type of weather you have and when sanding has been required to maintain a good surface. We treat our wood with a waterborne transparent stain.
9. Creating and maintaining the Playcenter on a level location is very important. As your children play, your Playcenter will slowly dig its way into the soil, and it is very important that it settles evenly. Make sure the play set is level and true once each year or at the beginning of each play season.

Disposal Instructions:

When the Playcenter use is no longer desired, it should be disassembled and disposed of in such a way that no unreasonable hazards will exist at the time the unit is discarded.

NOMINAL MATERIAL SIZES			
NAMED SIZE		TRUE SIZE	
Imperial (")	Metric (mm)	Imperial (")	Metric (mm)
1x6	2.5x15.3	3/4x5x1/2	1.9x14
5/4x4	3.2x10.2	1x3 1/2	2.5x9
5/4x6	3.2x15.3	1x5 1/2	2.5x14
2x2	5x5	1 1/2x1 1/2	3.8x3.8
2x3	5x7.6	1 1/2x2 1/2	3.8x6.4
2x4	5x10	1 1/2x3 1/2	3.8x9
2x6	5x15.3	1 1/2x5 1/2	3.8x14
4x4	10x10	3 1/2x3 1/2	9x9
Estimated Sizing Due to Molding of Wood			

APPENDIX A

Information on Playground Surfacing Materials:

The following information is from the *United States Consumer Product Safety Commission's Information Sheet for playground surfacing material*. Also see the following website for additional information: www.cpsc.gov/cpscpub/pubs/323.html.

X3. CONSUMER INFORMATION SHEET FOR PLAYGROUND SURFACING MATERIALS¹¹

X3.1 The U.S. Consumer Product Safety Commission (CPSC) estimates that about 100,000 playground equipment-related injuries resulting from falls to the ground surface are treated annually in U.S. hospital emergency rooms. Injuries involving this hazard pattern tend to be among the most serious of all playground injuries, and have the potential to be fatal, particularly when the injury is to the head. The surface under and around playground equipment can be a major factor in determining the injury-causing potential of a fall. It is self evident that a fall onto a shock-absorbing surface is less likely to cause a serious injury than a fall onto a hard surface. Playground equipment should never be placed on hard surfaces such as concrete or asphalt and while grass may appear to be acceptable it may quickly turn to hard packed earth in areas of high traffic. Shredded bark mulch, wood chips, fine sand or fine gravel are considered to be acceptable shock absorbing surfaces when installed and maintained at a sufficient depth under and around playground equipment.

X3.2 Table X3.1 lists the maximum height from which a child would not be expected to sustain a life-threatening head injury in a fall onto four different loose-fill surfacing materials if they are installed and maintained at depths of 6, 9, and 12 in. However, it should be recognized that all injuries due to falls cannot be prevented no matter what surfacing material is used.

X3.3 It is recommended that a shock absorbing material should extend a minimum of 6 ft in all directions from the perimeter of stationary equipment such as climbers and slides. However, because children may deliberately jump from a moving swing, the shock absorbing material should extend in the front and rear of a swing a minimum distance of 2 times the height of the pivot point measured from a point directly beneath the pivot on the supporting structure.

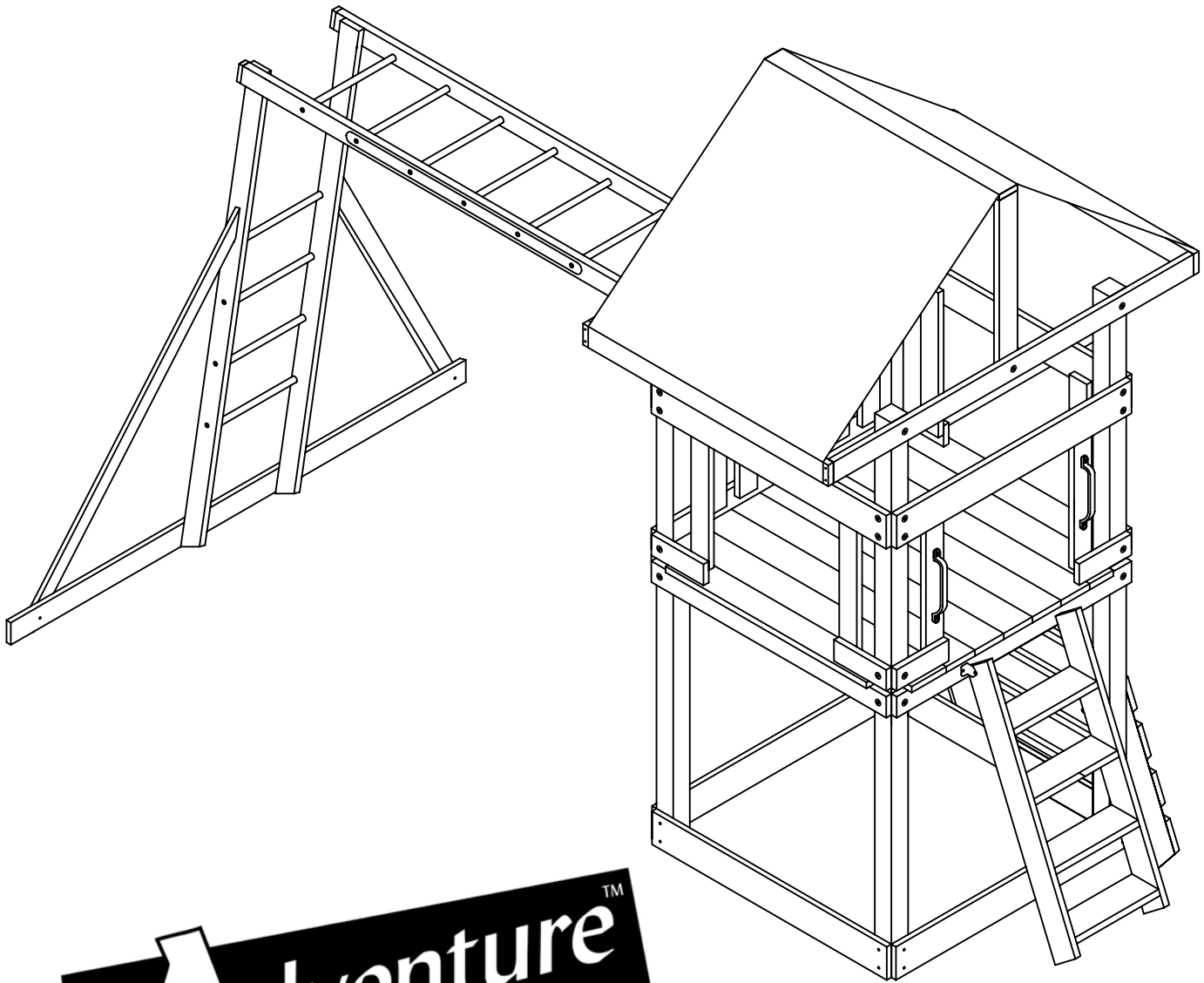
X3.4 This information is intended to assist in comparing the relative shock-absorbing properties of various materials. No particular material is recommended over another. However, each material is only effective when properly maintained. Materials should be checked periodically and replenished to maintain correct depth as determined necessary for your equipment. The choice of a material depends on the type and height of the playground equipment, the availability of the material in your area, and its cost.

¹¹This information has been extracted from the CPSC publications "Playground Surfacing — Technical Information Guide" and "Handbook for Public Playground Safety." Copies of these reports can be obtained by sending a postcard to: Office of Public Affairs, U.S. Consumer Product Safety Commission, Washington, D.C., 20207 or call the toll-free hotline: 1-800-638-2772.


The American Society for Testing and Materials takes no position respecting the validity of any patent right asserted in connection with any item mentioned in this standard. Users of this standard are expressly advised that determination of the validity of any such patent rights, and the risk of infringement of such rights, are entirely their own responsibility.

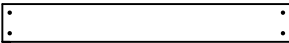
The standard is subject to revision at any time by the responsible technical committee and must be reviewed every five years and if not revised, either approved or withdrawn. Your comments are invited either for revision of this standard or for additional standards and should be addressed to ASTM Headquarters. Your comments will receive careful consideration at a meeting of the responsible technical committee, which you may attend. If you feel that your comments have not received a fair hearing you should make your views known to the ASTM Committee on Standards, 100 Barr Harbor Drive, West Conshohocken, PA 19428.


Madison Assembly Instructions





Parts Identification


A cranberry 4x4x92" upright---[4]
4LP1030-05 


B 1x6x42" fort rail/ sandbox board---[8]
4L1281-05 


C 1x6x42" monkey bar rail
4L1282-05 


D 1x6x35" floor board---[2]
4L1283-05 


E 1x6x24" rockwall board---[6]
4L1087-05 

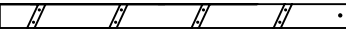
F 1x6x24" wall slat---[2]
4L1440-05 

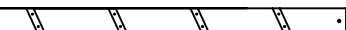
G 1x6x17 1/4" deck ladder brace
4L1317-05 


H 1x4x93" monkey bar ground beam
4L1383-05 

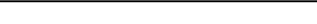
I 5/4x4x71" end ladder brace---[2]
4L1384-05 

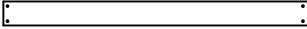
J 5/4x4x69" cross brace---[2]
4L1311-05 


K 5/4x4x50 3/4" right ladder rail
4L1571-05 

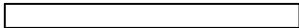
L 5/4x4x50 3/4" left ladder rail
4L1572-05 

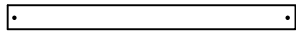
M 5/4x4x47" rockwall support---[2]
4L1314-05 


N 1x4x47" floor board---[2]
4L1405-05 


O 1x4x45" tarp end cap---[2]
4L1495-05 

P 1x4x43" tarp support
4L1442-05 

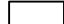
Q 5/4x4x43" floor brace
4L1443-05 

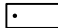
R 1x4x42" fort rail/floor support---[6]
4L1444-05 

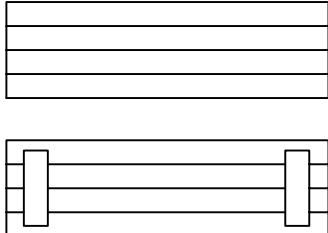
S 5/4x4x30" tarp upright---[2]
4L1316-05 

T 1x4x24" wall slat---[9]
4L1052-05 

U 2x4x16" deck ladder rung---[4]
4L504 

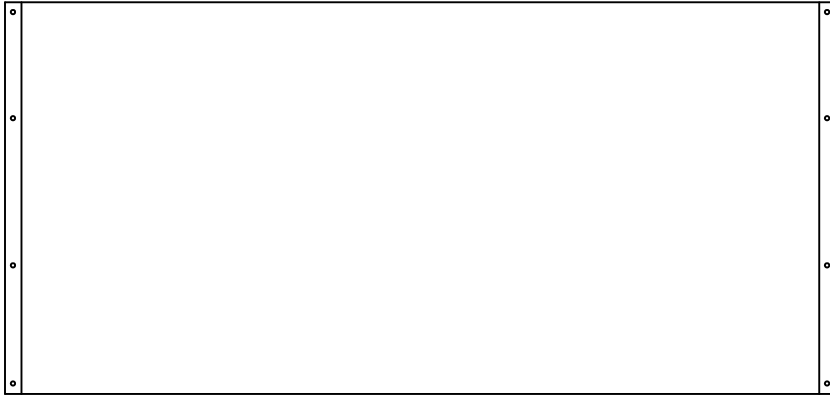
V 5/4x4x8" cleat---[4]
4L1403-05 

W 1x4x7" corner wall rail---[6]
4L1446-05 

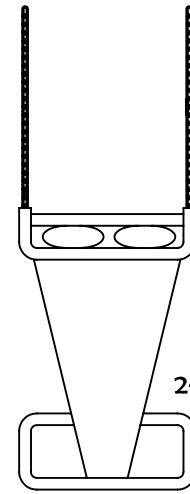
X 47" floor panel---[2]
2A1048-05  top
bottom

Parts Identification

42 x 102" Tarp - 6F012

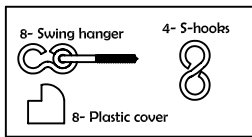


2-Glider chains - 6M017

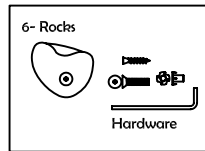


2-Glider arms - 6P057

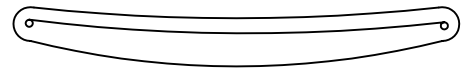
1- Swing hanger hardware bag - 6HB007



Rockwall bag - 6P054



1-Glider seat - 6P023



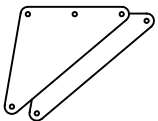
14- L-brackets - 4M032



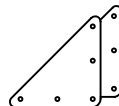
4- 58" Plastic coated chain - 6M015



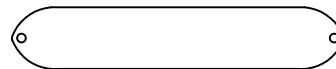
2- Triangle end ladder braces - 4M089



2- Mending plates - 4M1006



2- Swing seats - 6P001



6- 2x4 Plastic caps - 6LP301



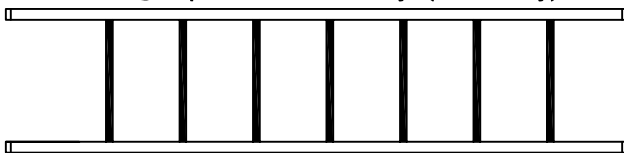
4- Plastic glider arm caps - 3H1100-05



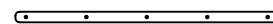
2- Hand grips (pair) - 6P002



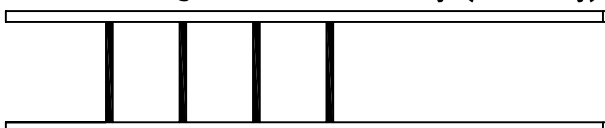
92" Rails/7 Rung Top Ladder Assembly (Cranberry) 2A1041-05



2- 2x50" Metal strip (green) - 4M1018-05



85 1/2" Rails/4 Rung End Ladder Assembly (Cranberry) 2A1042-05



Other accessories:

Fort hardware bag - 6HB024

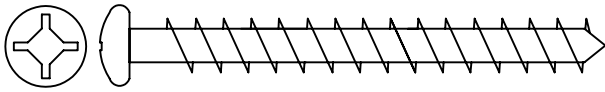
8' wave slide - 6P058

10 - Metal stakes 16" - 6M026

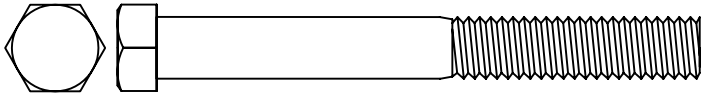
Adventure Playsets sticker - 6BLAB22

Hardware Identification

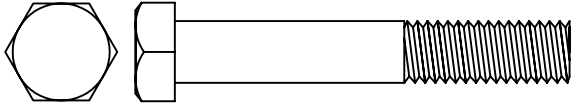
50- 2 1/2" TAPPING SCREWS



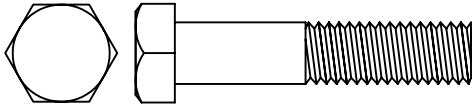
2- 5/16" x 2 3/4" HEX BOLTS



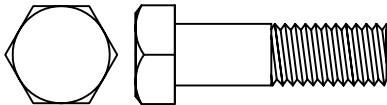
2- 5/16" x 2" HEX BOLTS



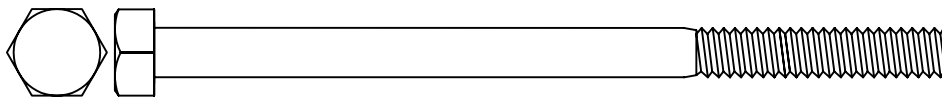
4- 5/16" x 1 1/2" HEX BOLTS



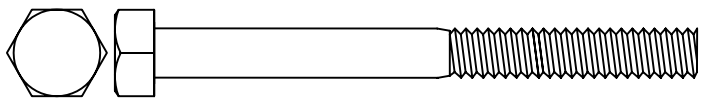
4- 5/16" x 1" HEX BOLTS



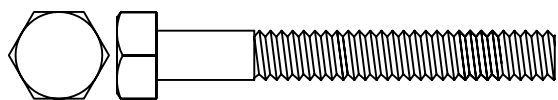
10- 1/4" x 4" HEX BOLTS



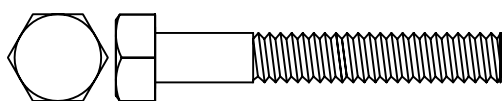
2- 1/4" x 2 3/4" HEX BOLTS



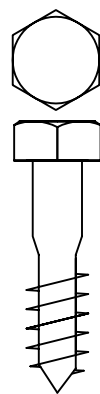
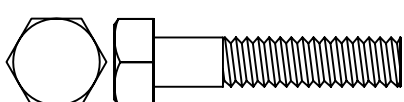
4- 1/4" x 2" HEX BOLTS



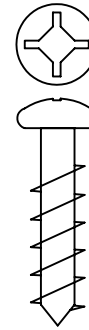
2- 1/4" x 1 3/4" HEX BOLTS



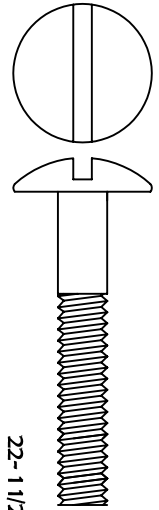
4- 1/4" x 1 1/4" HEX BOLTS



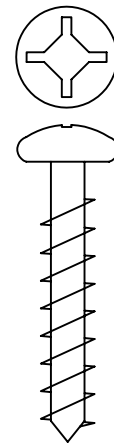
8- 1/4" x 1" LAG SCREWS



8- 1" TAPPING SCREWS

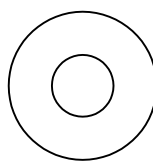


2- 1/4" x 1/4" MACHINE TRUSS SCREWS

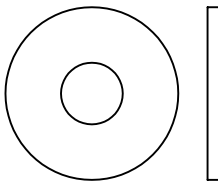


22- 1/2" TAPPING SCREWS

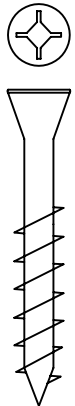
116 -1/4" FLAT WASHERS



14- 5/16" FLAT WASHERS

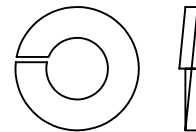


34- 3/4" TAPPING SCREWS

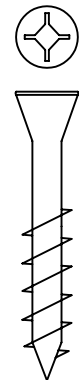
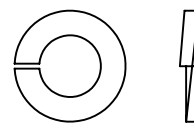


44- 1/2" DECK SCREWS

12- 5/16" SPLIT WASHERS

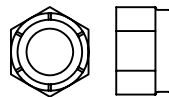


22- 1/4" SPLIT WASHERS

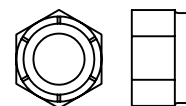


46- 1/4" DECK SCREWS

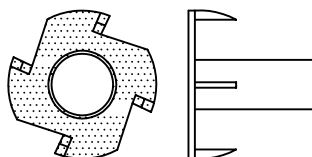
2- 1/4" LOCK NUTS



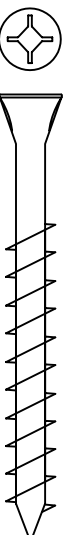
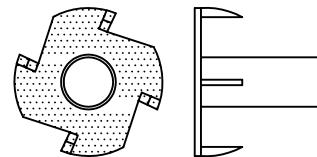
4- 5/16" LOCK NUTS



10- 5/16" T-NUTS



22- 1/4" T-NUTS



54- 2 1/4" DECK SCREWS

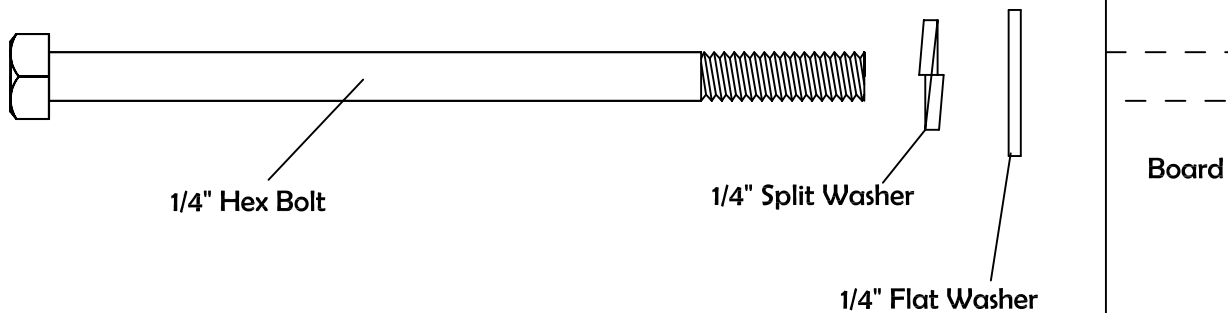
Not shown: 2- 5/16 x 6" hex bolts
1- phillips combo bit - 6H064

BOLTING INSTRUCTIONS

THROUGHOUT THESE INSTRUCTIONS, WHEN USING A BOLT WITH A T-NUT; A SPLIT WASHER AND FLAT WASHER MUST BE USED BETWEEN THE HEAD OF THE HEX BOLT & THE BOARDS BEING BOLTED.

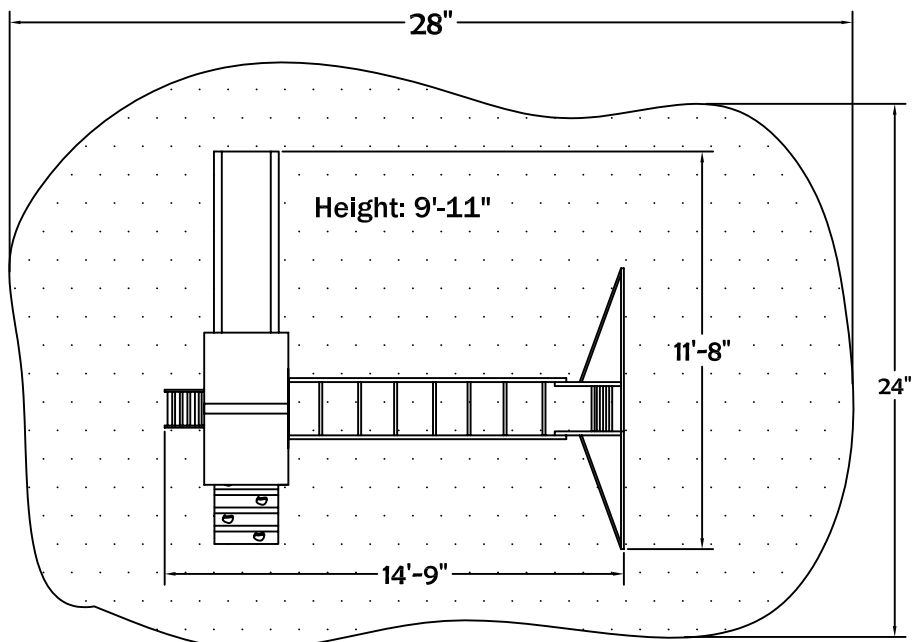
USING THESE WASHERS WILL KEEP HEX BOLTS FROM LOOSENING FROM THE T-NUT AND GOING INTO THE BOARD.

IF USING A 1/4" HEX BOLT, 1/4" WASHERS MUST BE USED AND IF USING A 5/16" HEX BOLT, 5/16" WASHERS MUST BE USED.



BASIC SETUP DIMENSIONS

Place the set on level ground, not less than 6ft from any structure or obstruction such as a fence, garage, house, overhanging branches, laundry lines, or electrical wires.



Phase 1

Frame assembly

Note: Open hardware bag on a flat surface or in a box to avoid misplacement.

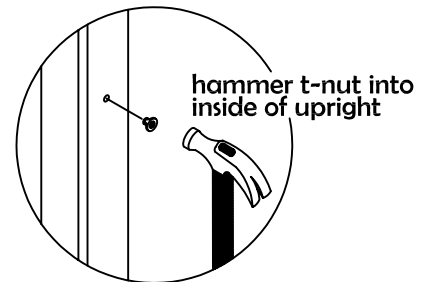
Step 1: Gather (4) uprights 'A', (2) sandbox boards 'B', and (2) floor supports 'R'.

Step 2: Attach each floor support 'R' to an upright 'A' w/ 1/4" hex bolts and t-nuts as shown. Hammer t-nuts into the inside of uprights.

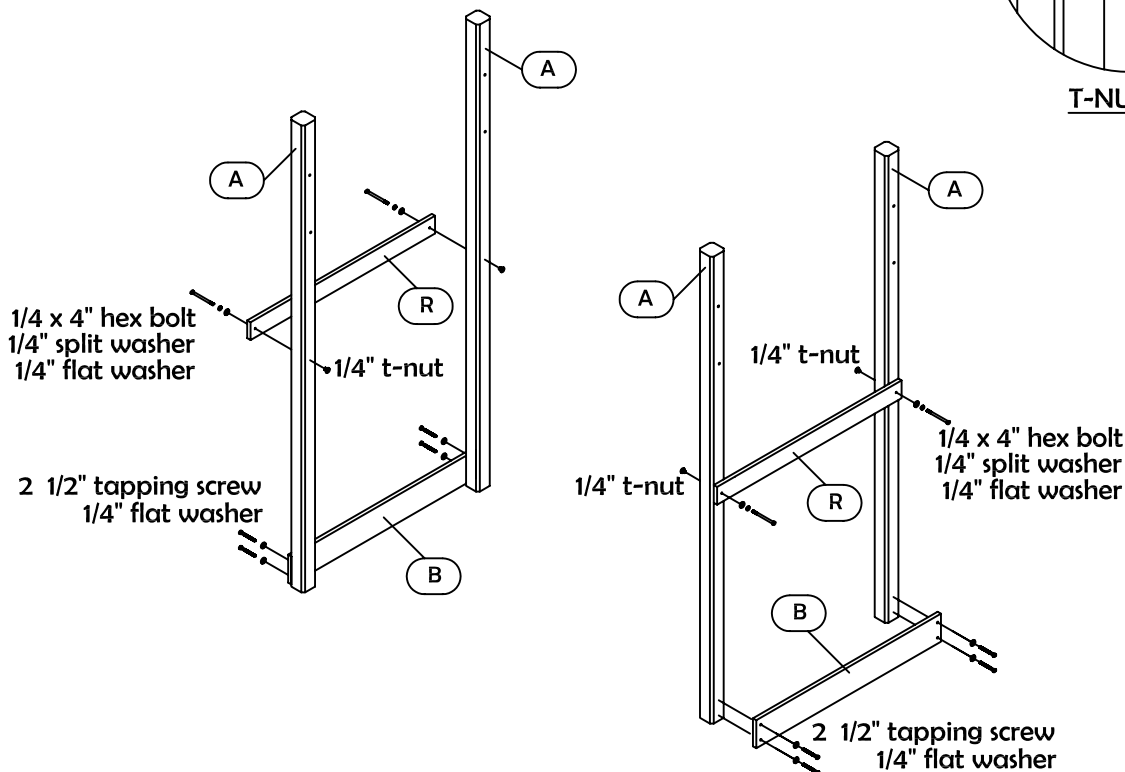
Step 3: Attach fort rails 'B' w/ tapping screws & flat washers as shown. Keep fort rails even w/ inside chamfer of uprights.

!!NOTE: DO NOT OVER-TIGHTEN HEX BOLTS!!

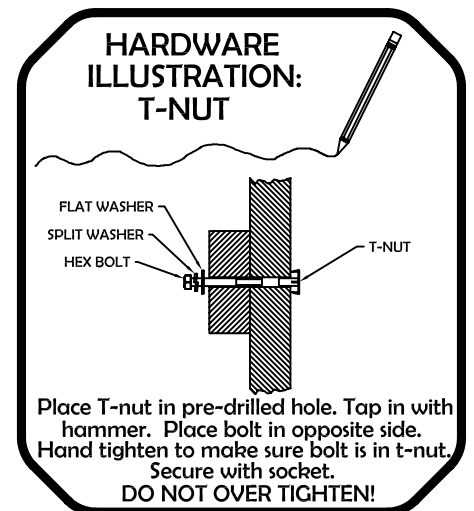
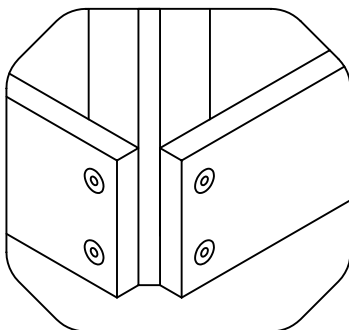
Bolt should not protrude more than 2 threads past t-nut face.



T-NUT DETAIL



NOTE: ALL RAILS SHOULD ALIGN W/ CHAMFER ON UPRIGHTS

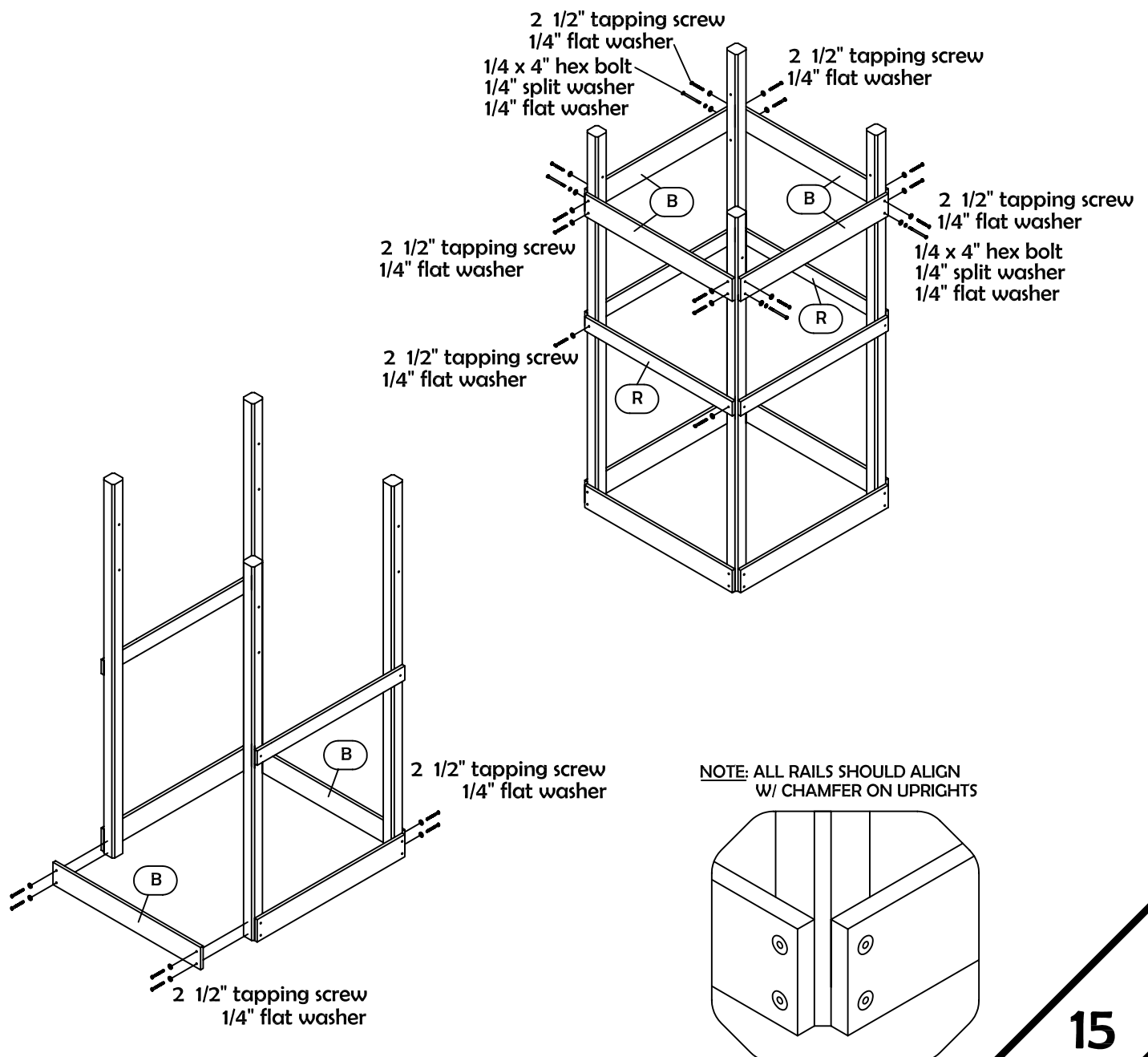


Phase 2

Fort rail attachment

- Step 1:** Gather (6) fort rail/sandbox boards 'B' and (2) floor supports 'R'.
- Step 2:** Attach sandbox boards 'B' to bottom of uprights w/ 2 1/2" tapping screws as shown.
- Step 3:** Attach fort rails 'B' to uprights w/ 4" hex bolts and t-nuts through bottom holes & 2 1/2" tapping screws through top holes as shown. Two of fort rails 'B' will take only tapping screws.
(Pre-drilled holes on uprights will use bolts and t-nuts.)
- Step 4:** Attach floor supports 'R' to uprights w/ 2 1/2" tapping screws as shown.

Note: Keep frame level and square to help w/ further installation.



Phase 3

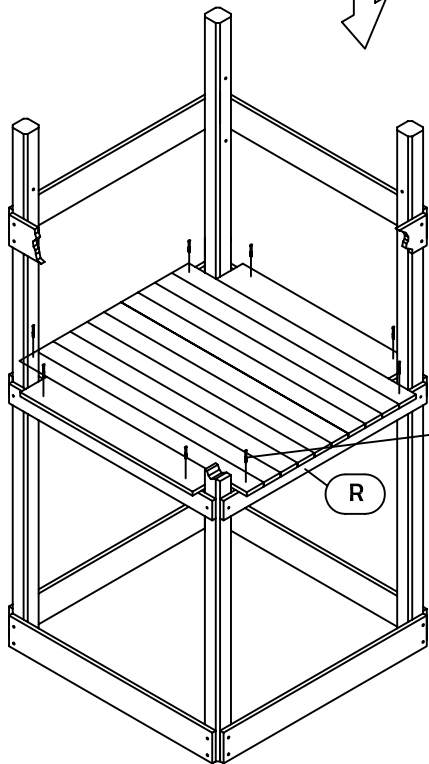
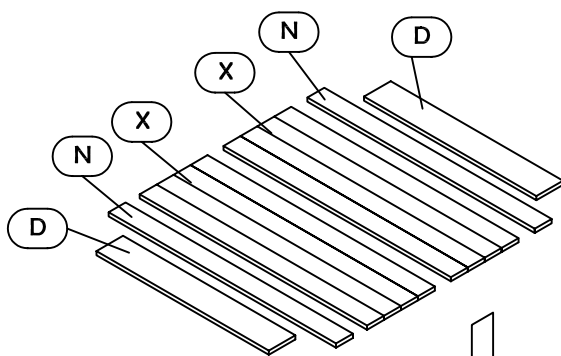
Floor attachment

Step 1: Gather (2) floor boards 'D', (2) floor boards 'N', (2) floor panels 'X', (4) cleats 'V' and floor brace 'Q'.

Step 2: Place floor boards and panels on fort where shown. Align loose floor boards with panels and center end floor boards between uprights. Secure loose floor boards to 'R' with 1 1/2" deck screws where shown.

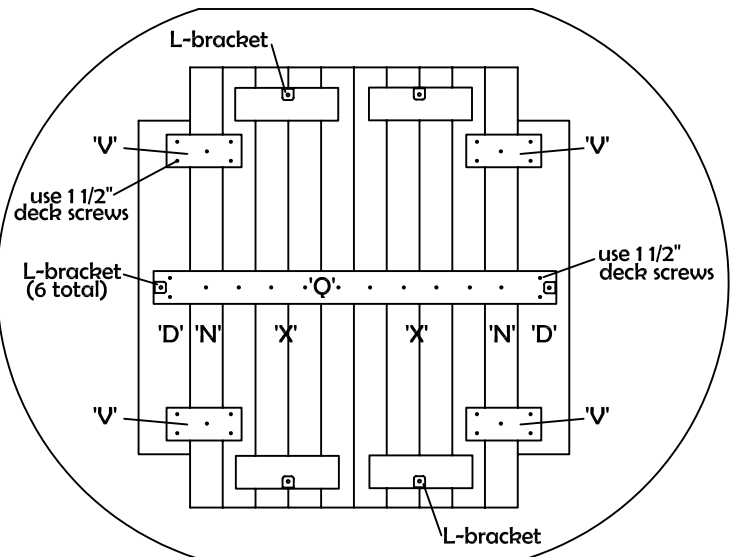
Step 3: Secure panels and floor boards to fort rails 'R' where shown with L-brackets, 2 per panel.

Step 4: Attach floor brace 'Q' and cleats 'V' to underside of floor with 1 1/2" deck screws as indicated. (see floor detail)

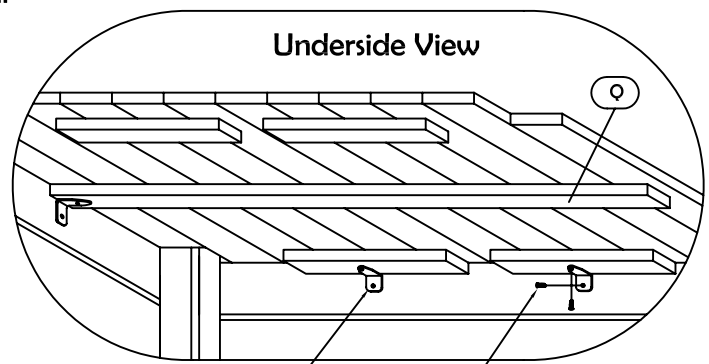


1 1/2" deck screws
(8) total

FLOOR DETAIL



Bottom View



Green L-bracket
(6 Total)

3/4" Tapping Screws

Note: Some pre-assembled parts are not shown for a better view of the floor.

Phase 4

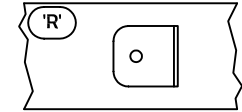
Ladder assembly

Step 1: Gather (4) deck ladder rungs 'U', ladder rails 'K' and 'L', deck ladder brace 'G' and (2) L-brackets.

Step 2: Assemble ladder as shown in details below.

Step 3: Prop deck ladder assembly against fort rail 'R' on the opposite side of the uprights 'A' indicated. Center ladder on fort rail and attach with 3/4" tapping screws. (see deck ladder detail) Be sure to center L- brackets vertically as well, on rail 'R'.

Note: This will help you get into the fort for the following phases.

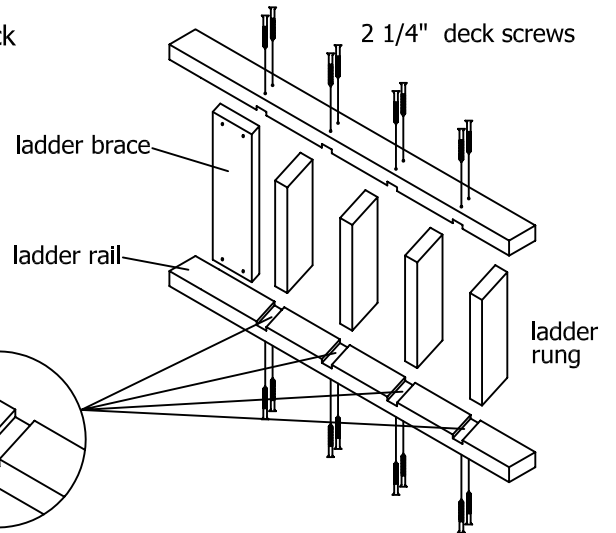
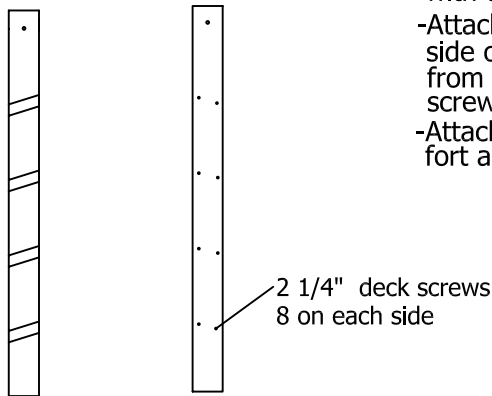


Center L-bracket on 'R'

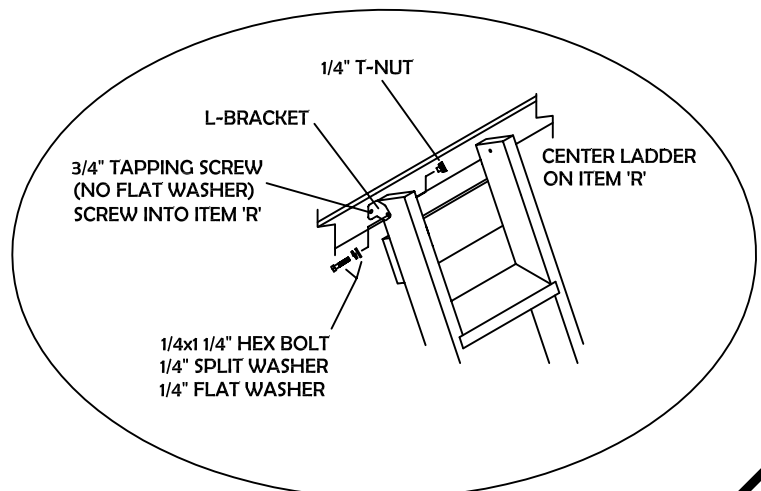
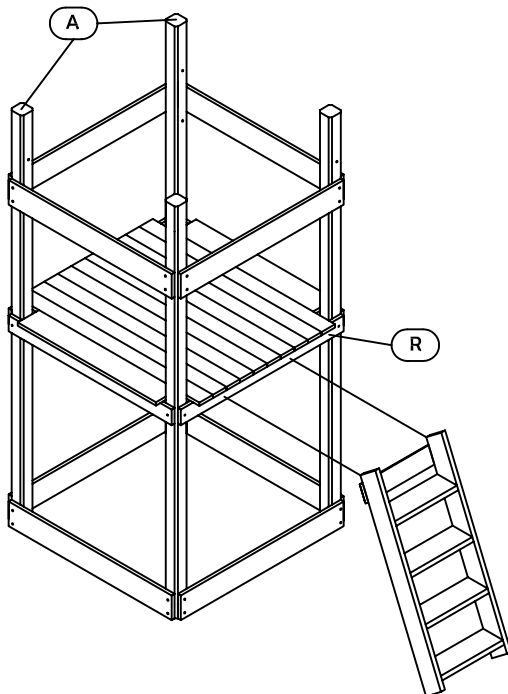
Assembly Instructions

- Place ladder rail flat with dado cuts facing up.
- Fasten rungs to rails with deck screws as shown.
- Attach ladder brace to back side of rails 2 1/4" down from end with 2 1/4" deck screws.
- Attach deck ladder to fort as shown.

Inside View Outside View



Dado cuts



DECK LADDER DETAIL

Phase 5

Fort rail/ wall slat attachment

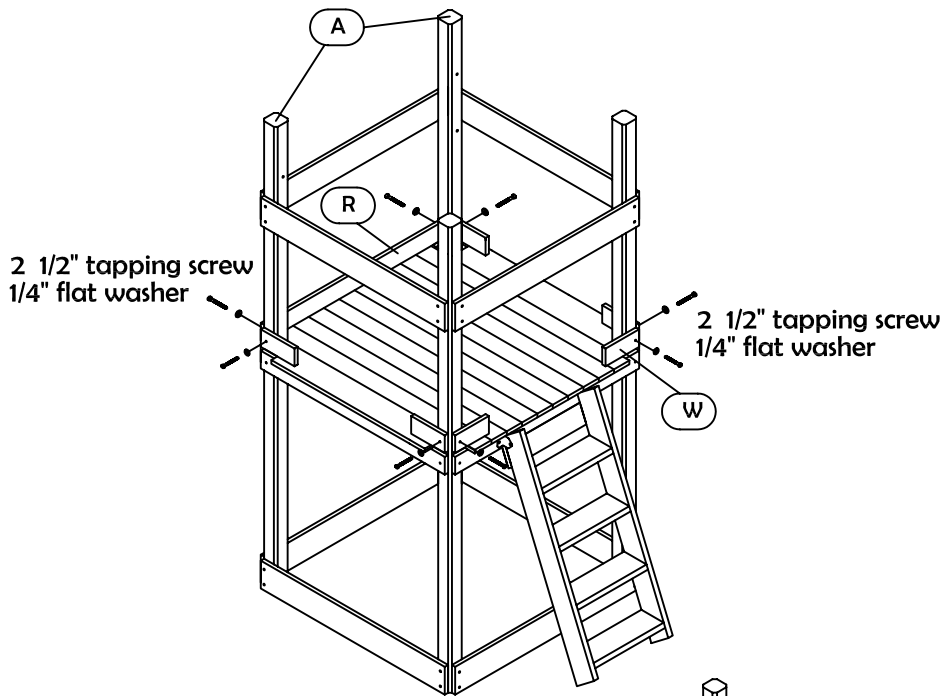
Step 1: Gather (6) corner wall rails 'W', (1) fort rail 'R', (2) wall slats 'F' and (9) wall slats 'T'.

Step 2: Attach fort rail 'R' to uprights 'A' w/ 2 1/2" tapping screws. Rest fort rail on floor & keep ends even w/ inside chamfer of uprights.

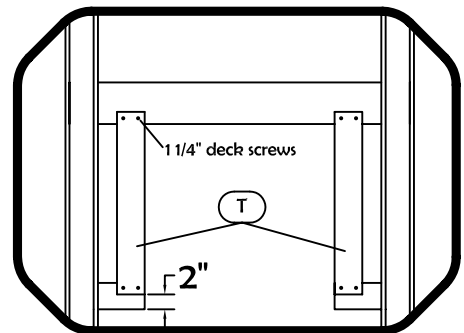
Step 3: Attach wall rails 'W' to uprights w/ 2 1/2" tapping screws as shown. Keep wall rails flush w/ chamfer of uprights.

Step 4: Attach wall slats 'T' to corner rails 'W' using 1 1/4" deck screws, flush with ends of 'W', as shown in open wall detail.

Step 5: Next attach two wall slats 'F' to wall rail 'R' with 1" space from uprights. Then attach three more wall slats 'T' to wall as shown in monkey bar wall detail.

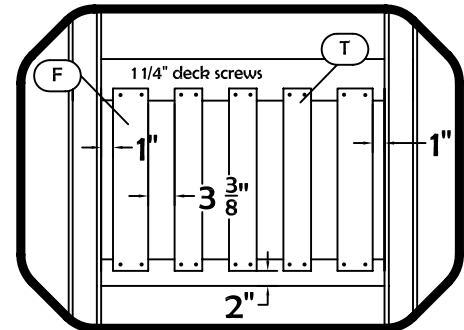


OPEN WALL DETAIL

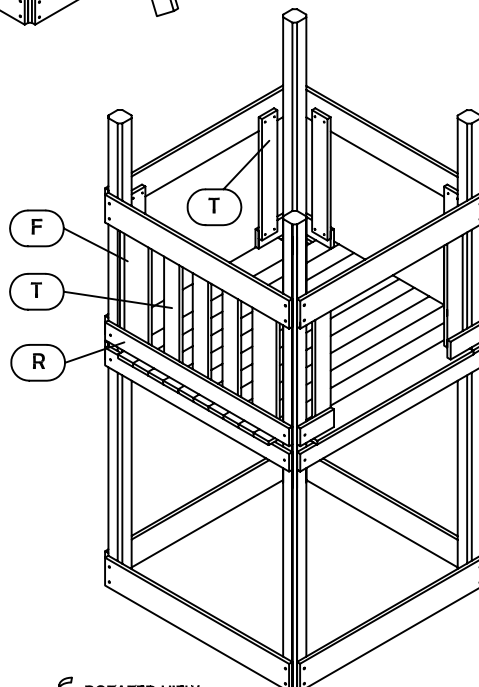


INSIDE VIEW

MONKEY BAR WALL

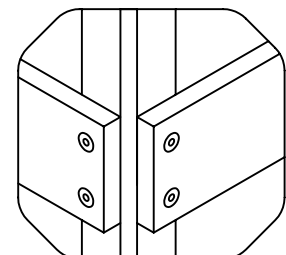


INSIDE VIEW



ROTATED VIEW

NOTE: ALL RAILS SHOULD ALIGN W/ CHAMFER ON UPRIGHTS



Phase 6

Tarp frame assembly

NOTE: A HELPER IS REQUIRED W/ ASSEMBLY.

Step 1: Gather (2) cross braces 'J', (2) tarp end caps 'O', (2) tarp uprights 'S', tarp support 'P', and monkey bar rail 'C'.

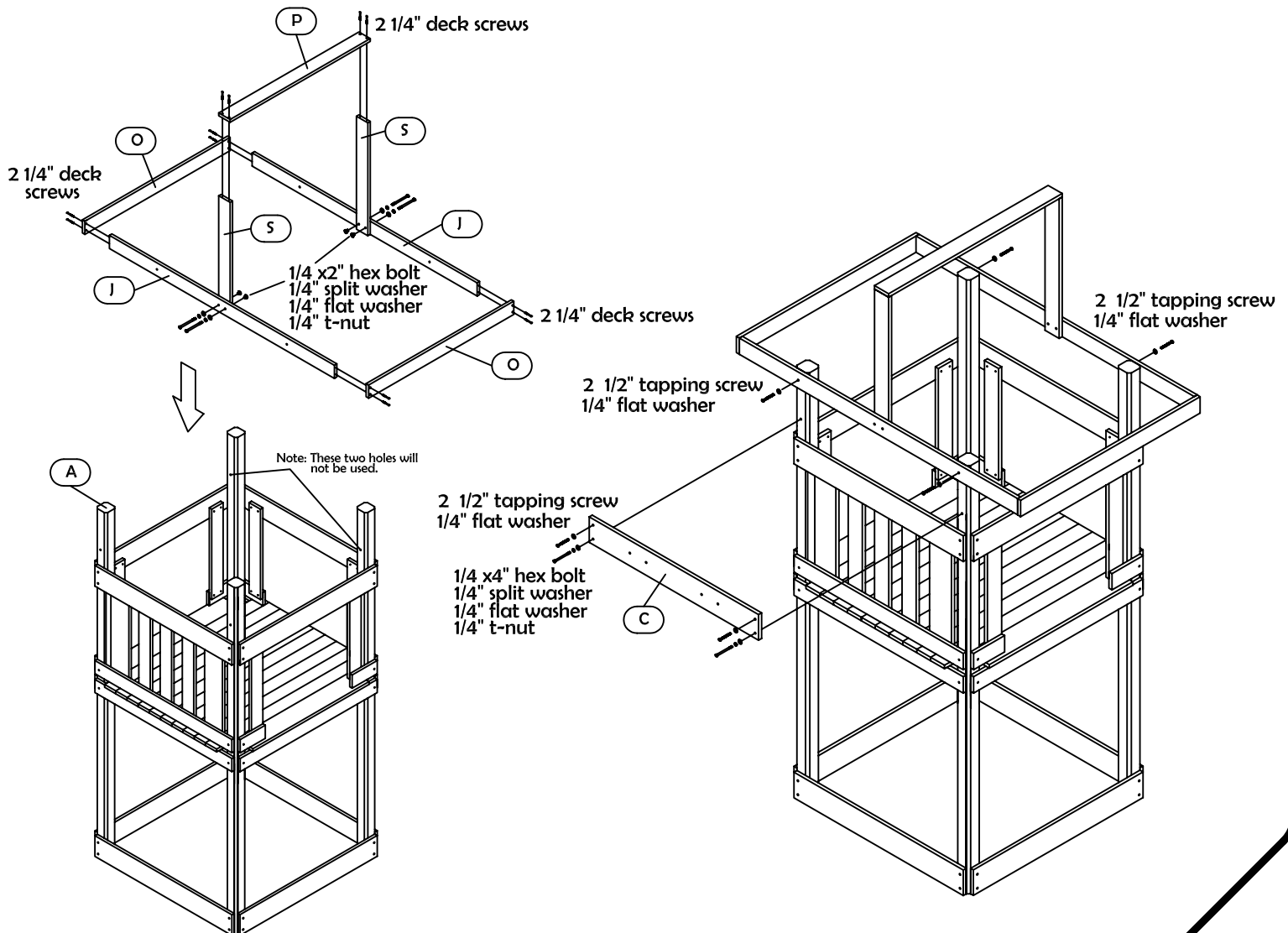
Step 2: Assemble tarp frame as shown below.

Step 3: Attach tarp uprights 'S' to cross braces w/ 2" hex bolts. Next, place tarp support 'P' across the top of uprights. Keep ends flush & attach w/ 2 1/4" deck screws using pre-drilled holes located on tarp support.

Step 4: Attach tarp end caps to cross braces with 2 1/4" deck screws through pre-drilled holes.

Step 5: Attach frame to top of uprights with 2 1/2" tapping screws. Cross braces must be attached where shown on uprights.

Step 6: Attach monkey bar rail 'C' to uprights 'A' through pre-drilled holes using 4" hex bolts through bottom holes and 2 1/2" tapping screws in top holes.



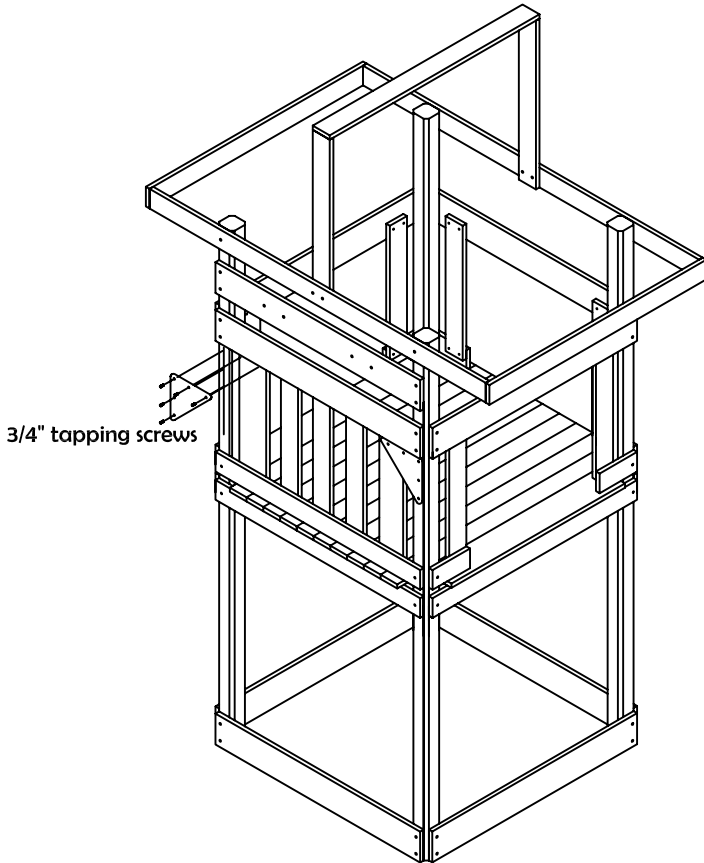
Phase 7

Tarp & plate attachment

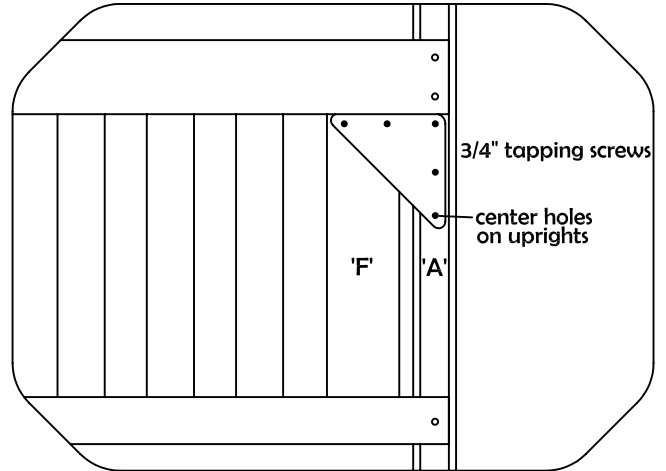
Step 1: Gather (2) mending plates and the (1) tarp.

Step 2: Attach mending plates onto uprights 'A' and wall slats 'F' with 3/4" tapping screws where shown. See detail.

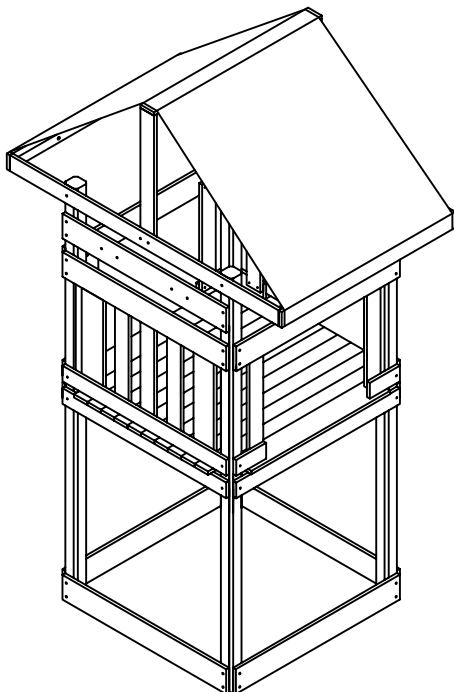
Step 3: Attach tarp to fort as shown. (See instructions below)



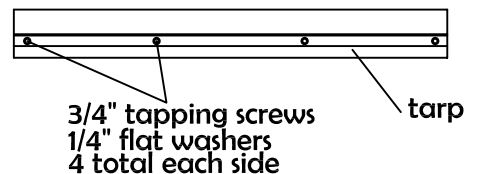
MENDING PLATE DETAIL



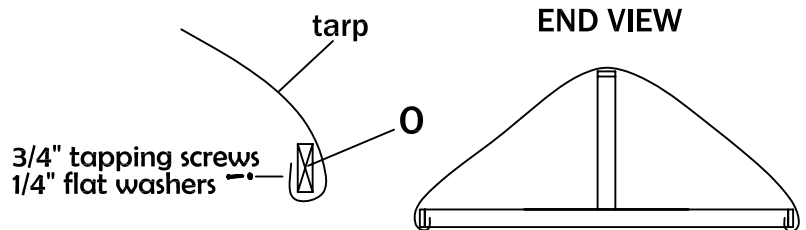
Place tarp over tarp support 'P'. Loop under tarp end caps 'O' and secure with hardware provided. Keep tarp pulled tight while securing.



INSIDE VIEW



END VIEW



Phase 8

Rockwall attachment

Step 1: Gather (6) rockwall boards 'E', (2) rockwall supports 'M', rock hardware bag and (2) L-brackets.

Step 2: Assemble rockwall as shown in the details.

A: Start with top board and attach to rockwall supports 3" from the end using (4) 2 1/4" deck screws per board. Use 2 1/8" spacing between boards and alternate boards so rocks do not form a straight line ('step A' detail).

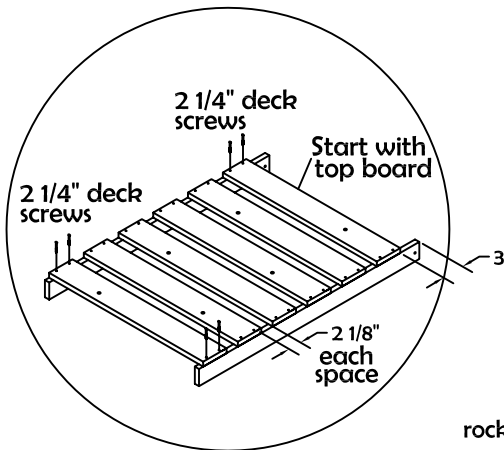
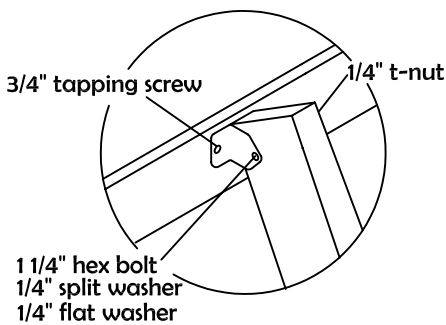
B: Hammer t-nuts into back of rockwall boards.

C: Using the flat head bolts provided and 1 1/4" deck screws attach climbing rocks to rockwall boards. ('step C' detail)

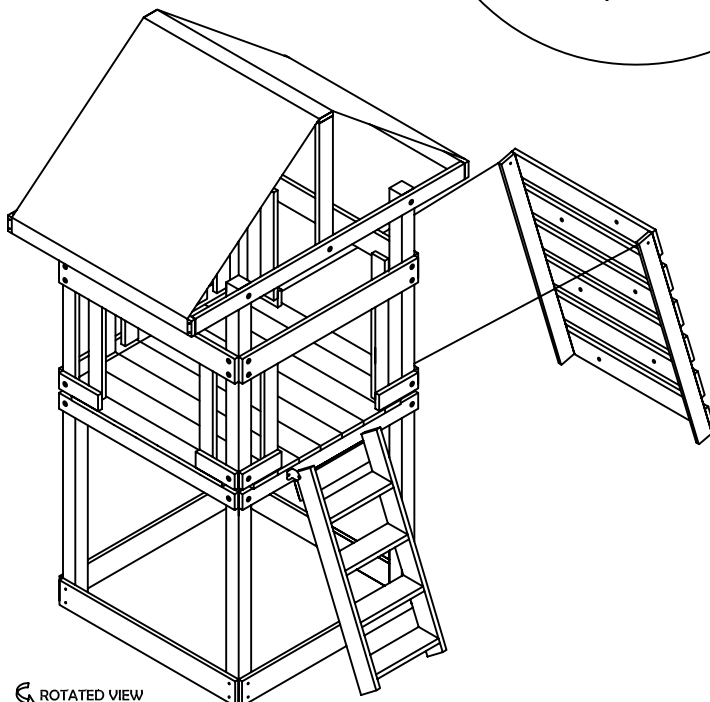
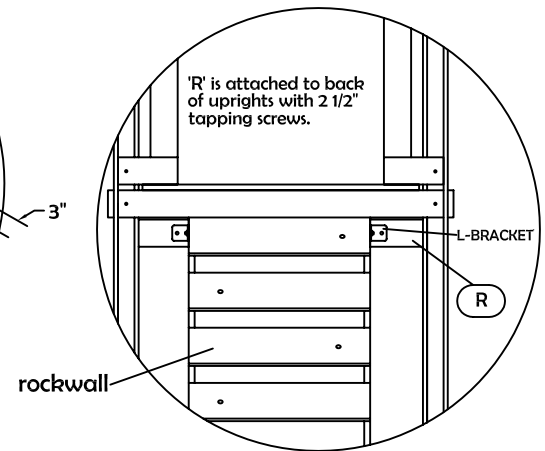
Step 3: Attach fort rail 'R' to back of uprights with 2 1/2" tapping screws & 1/4" flat washers on rockwall side of fort just below other rail. Rockwall will attach to this board.

Step 4: Attach rockwall with L-brackets to 'R' as shown. (See 'L-bracket' and 'attachment' details)

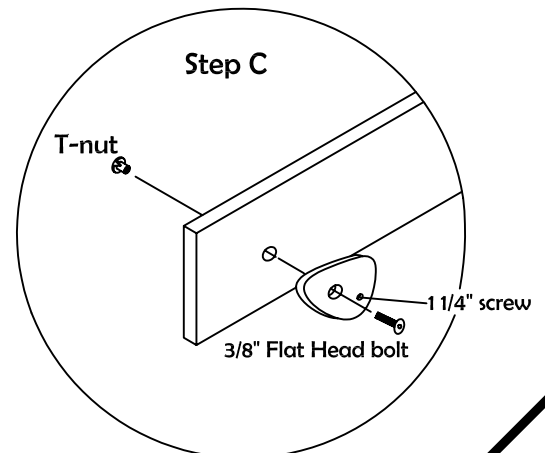
L-BRACKET DETAIL



ATTACHMENT DETAIL



ROTATED VIEW



Phase 9

Monkey bar ladder setup

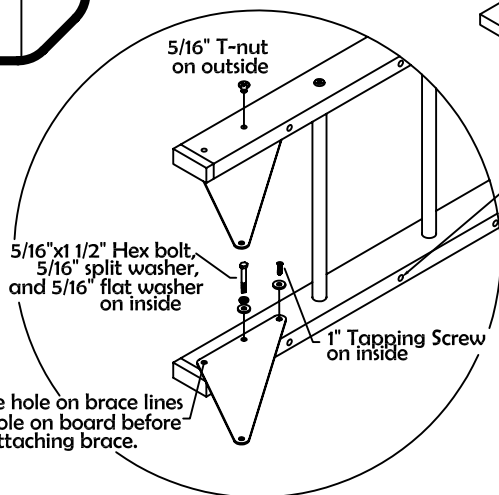
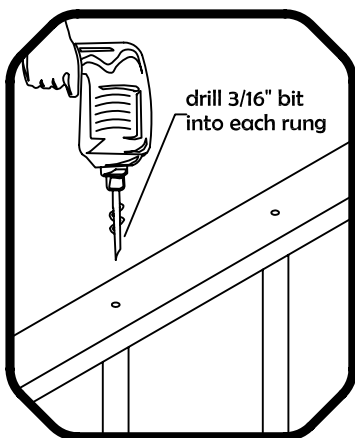
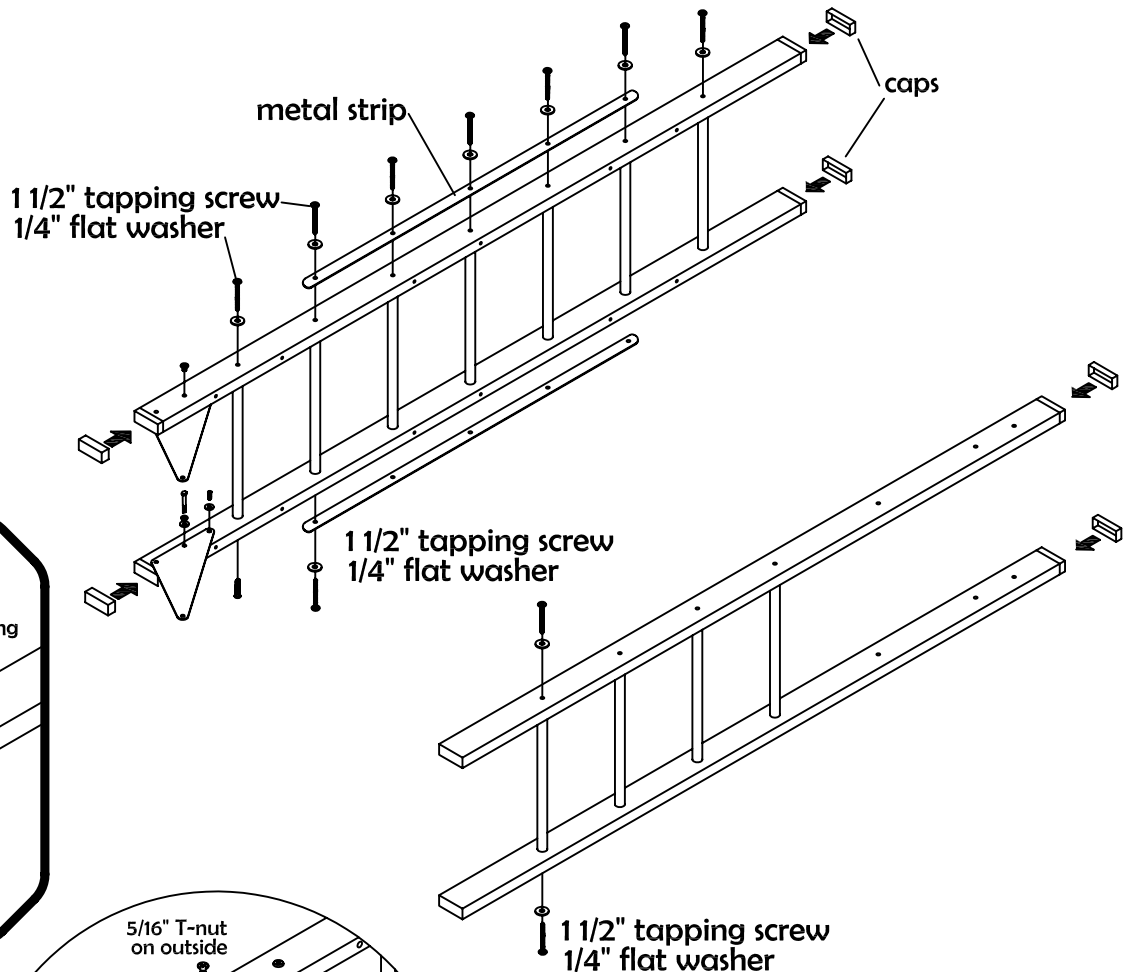
Step 1: Gather Top Ladder, End Ladder and (2) Triangle Braces

Step 2: Place plastic caps on ends of ladders where shown.

Step 3: Using a drill with a 3/16" bit, pre-drill a hole approx. 1 1/2" deep into each wooden rung on both ladder assemblies.

Step 4: Attach metal strip to each side of monkey bar top ladder with 1 1/2" tapping screws and 1/4" flat washers. Secure remaining rungs with same screws.

Step 5: Attach Triangle Braces to Top Ladder with hardware specified in detail.



Make sure hole on brace lines
up with hole on board before
attaching brace.

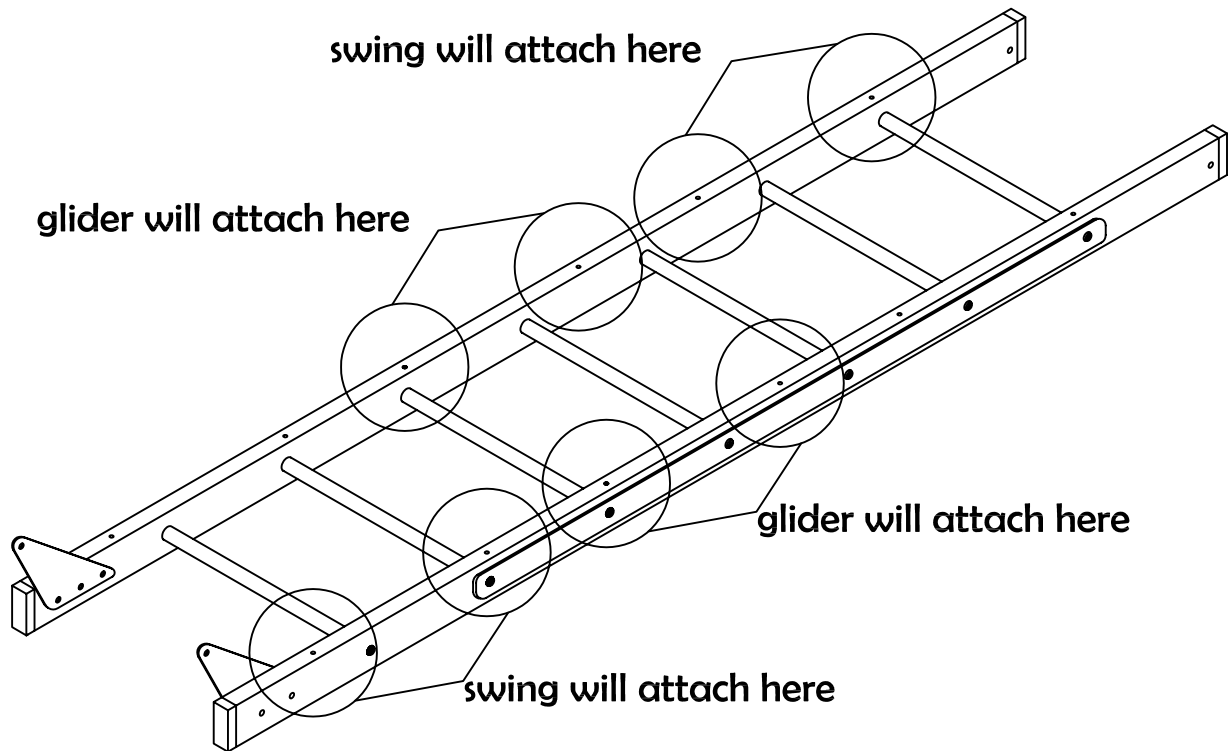
Note: Pilot holes for swing hanger should be on this side.

Phase 10

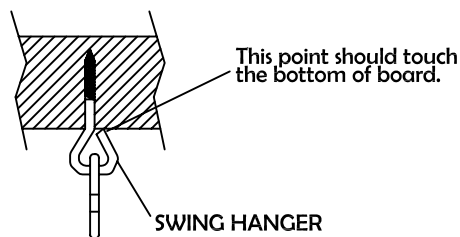
Swing hanger placement

Step 1: Screw Lag Swing Hangers into pilot holes on top ladder in pattern shown below.

Put Swing Hangers in circled holes!



HARDWARE ILLUSTRATION: SWING HANGER



The Lag Screw Swing Hanger must be screwed in so that the tip of the swing hanger is touching the receiving board. Note: Triangular bend on swing hanger must run parallel with board

Phase 11

Monkey bar assembly

Step 1: Gather Ladder assemblies, (2) end ladder braces 'I' and Ground Beam 'H'.

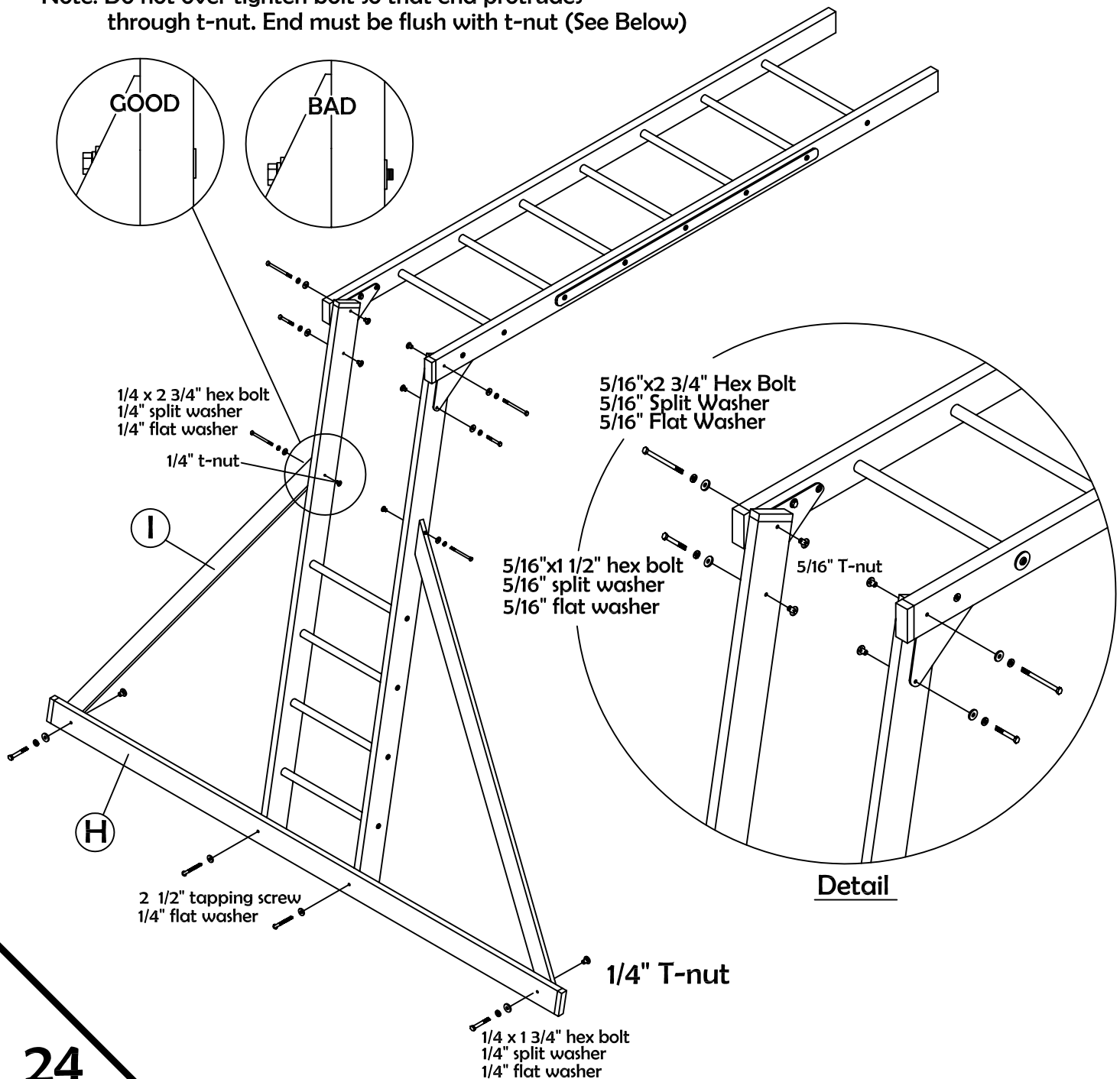
Step 2: Attach End Ladder to Top Ladder with Triangle Braces through pre-drilled holes. See detail for hardware.

Step 3: Attach Angle Braces 'I' to Ground Beam 'H' as shown.

Step 4: Next attach Angle Braces 'I' to end ladder as shown.

Step 5: Attach Ground Beam 'H' to End Ladder with 2 1/2" tapping Screws.

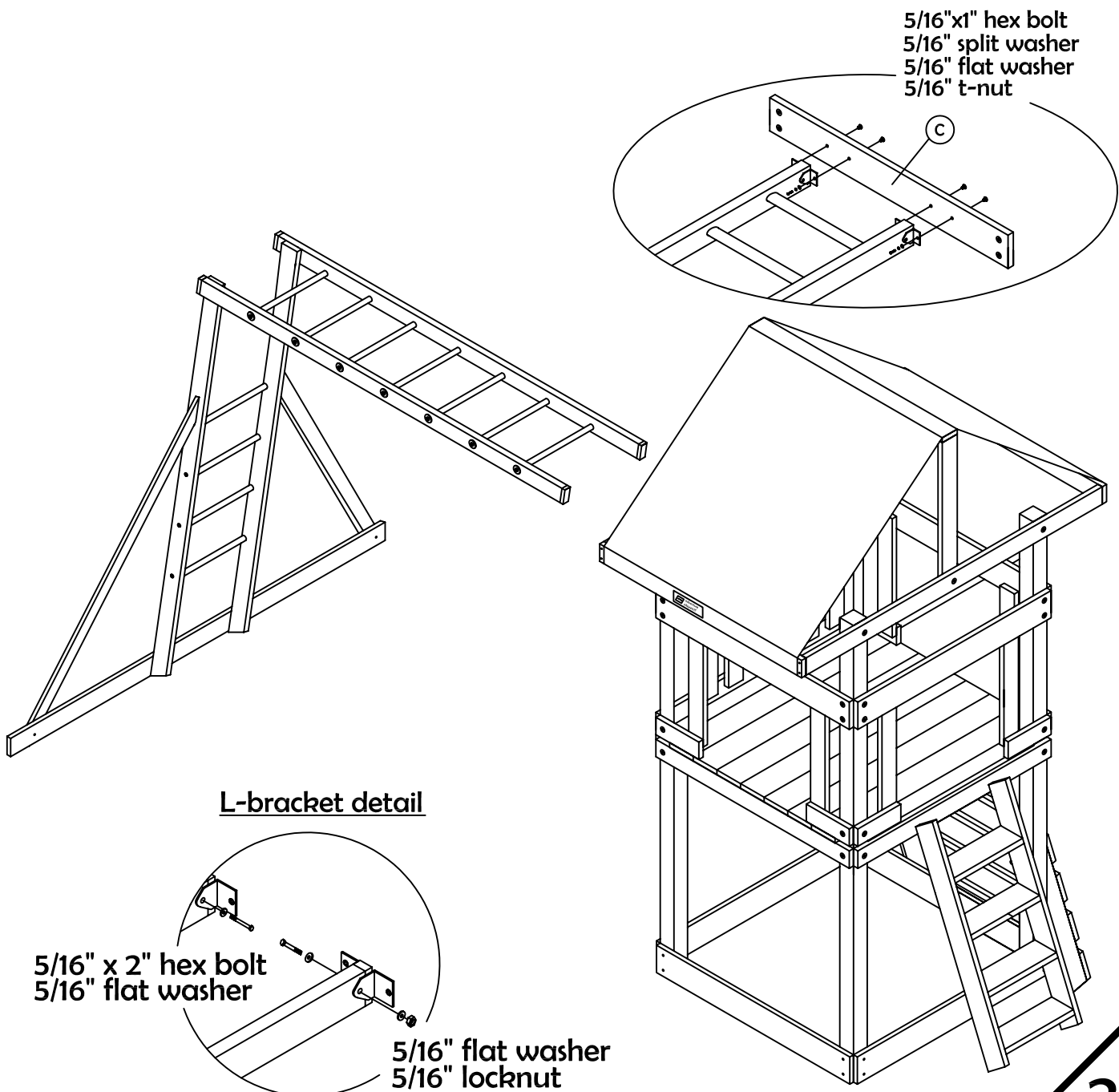
Note: Do not over tighten bolt so that end protrudes through t-nut. End must be flush with t-nut (See Below)



Phase 12

Monkey bar attachment

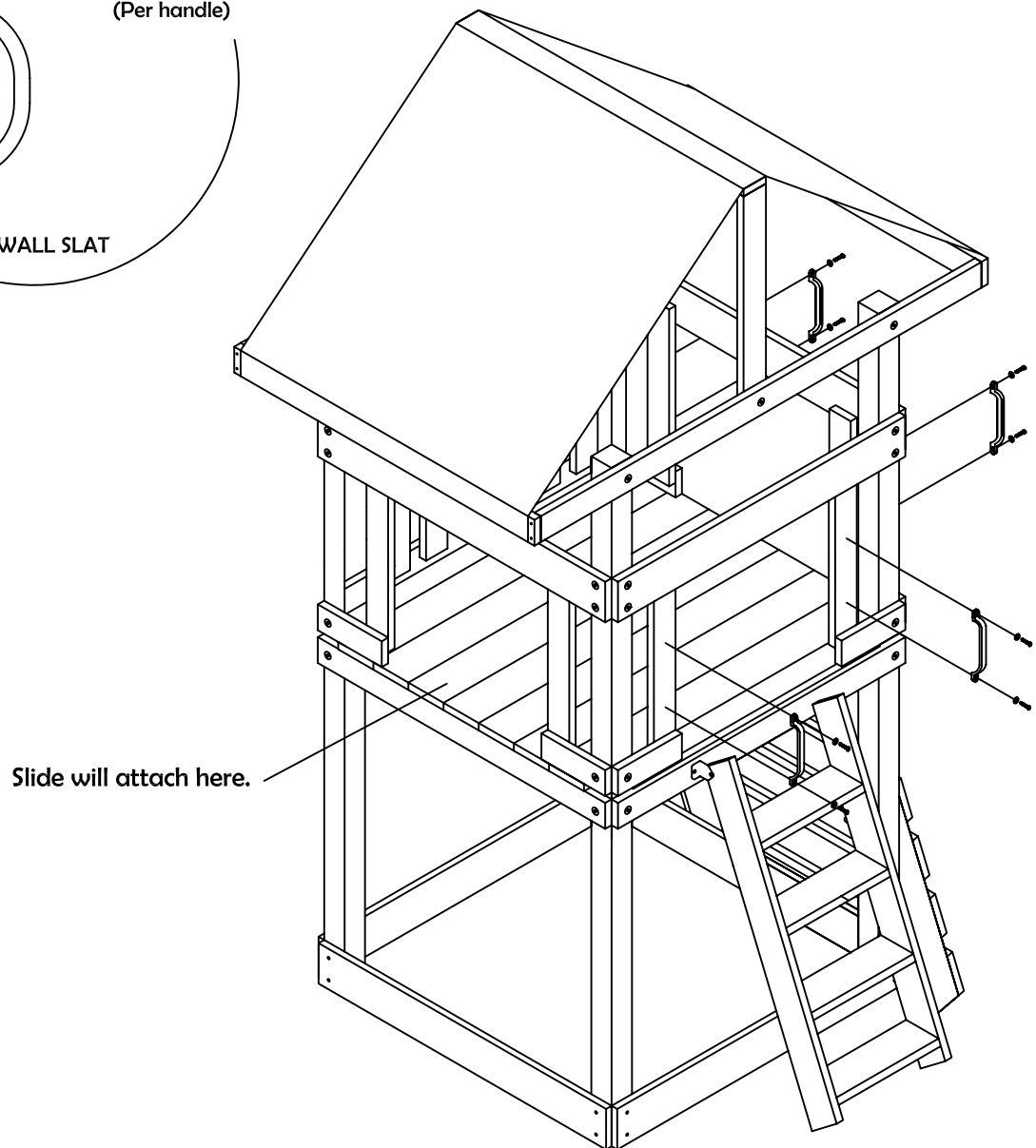
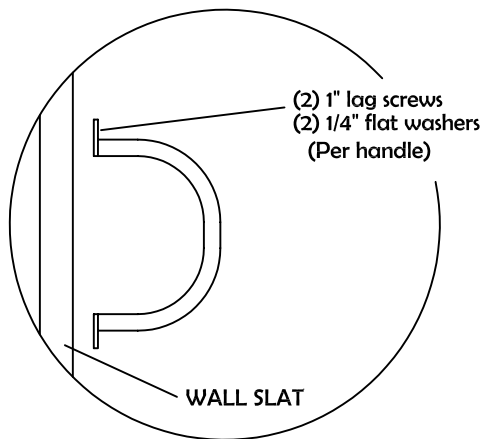
- Step 1: Attach L-brackets to top ladder with 5/16" hex bolts as shown below in L-bracket detail.
- Step 2: Position top ladder so that L-bracket holes align w/ pre-drilled holes on monkey bar rail 'C' and attach w/ 5/16"x1" hex bolts, flat washer, split washer & t-nut.
- Step 3: Glider and swings require assembly. Refer to swing seat assembly and glider detail at back of instruction book before attaching to top ladder.
- Step 4: Attach Adventure Playsets sticker to monkey bar top ladder.



Phase 13

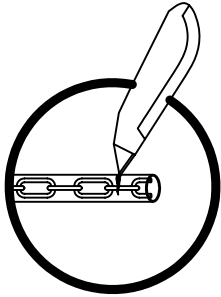
Handle attachment

Step 1: Four of wall slats 'T' will take yellow handles. Center handles on wall slats above both the rockwall and deck ladder.
Attach using hardware shown. (Do not use hardware in handle bag.)



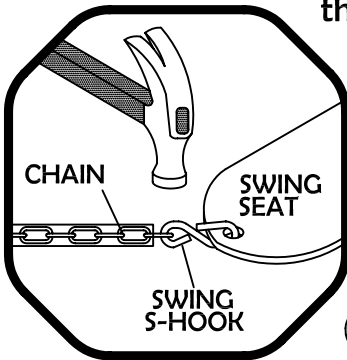
Phase 14

Swing assembly



Trim plastic coating on chain with scissors or knife to reveal last whole link. Remove partial link and discard. Do this on both ends of each chain to help with s-hook attachment.

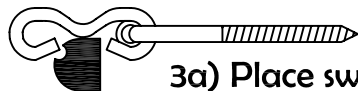
Step 1: Attach the S-hooks to the swing seats. Slide the bigger end of the S-hook into the hole located on swing seat. Close S-hook with hammer as shown in detail.



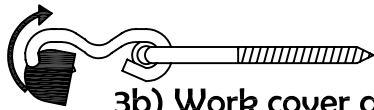
Note: The bigger opening on the S-hook will be the end that will attach to the swing seat.

Step 2: Attach 57" chain to smaller end of S-hook and close with hammer.

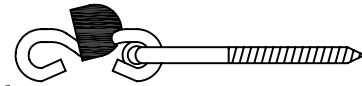
Step 3: Attach plastic swing hanger cover to swing hanger as shown below.



3a) Place swing hanger through opening of cover.



3b) Work cover around the curves of the swing hanger



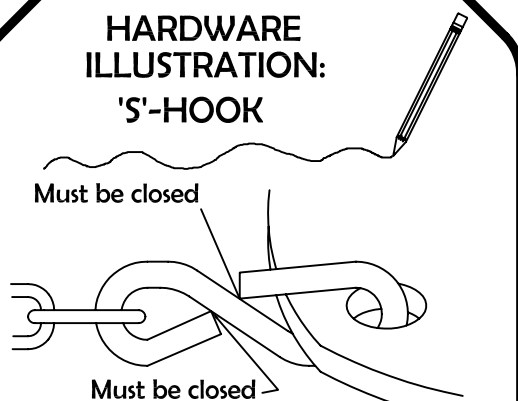
3c) Loop chain over swing hanger, flip cover over and place over opening.

Step 4: Attach opposite end of chain to swing hangers.

Step 5: You must adjust the height of the swings with the chain so that the swings will meet the following ground clearances.

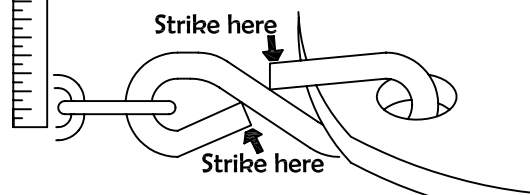
U.S. - 8" Clearance
European - 350mm Clearance

HARDWARE ILLUSTRATION: 'S'-HOOK



NOTE: FOR YOUR CHILD'S SAFETY, MAKE SURE THAT THE HOOKS ARE COMPLETELY CLOSED AND THE CHAINS CANNOT PULL OFF THE HOOKS.

INSTALLATION TIP



When closing S-Hook, strike hook on outermost edge. Its not how hard you strike the hook, but consistent hammering heats the metal and closes the hook.

Phase 15

Glider assembly

Step 1: Gather (2) Glider Arms, (1) Glider Seat & (2) Glider Chains

Step 2: Feed one chain through each glider arm as shown to allow attachment to swing hanger.

Step 3: Next slide plastic caps over ends of glider chains to cover glider arm holes.

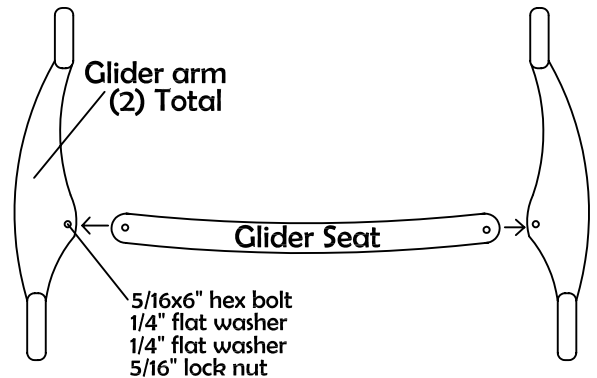
Step 4: Insert glider seat into glider arms & attach w/ (2) 6" hex bolts, (4) 1/4" flat washers & (2) 5/16" lock nuts.

Step 5: After assembly is complete, attach glider to swing hangers located on monkey bar. (see Phase 10)

Note: You must adjust the height of the glider with the chain so that the glider meets the following ground clearances.

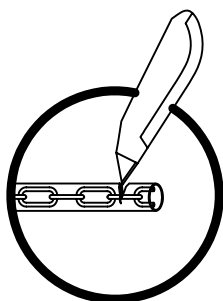
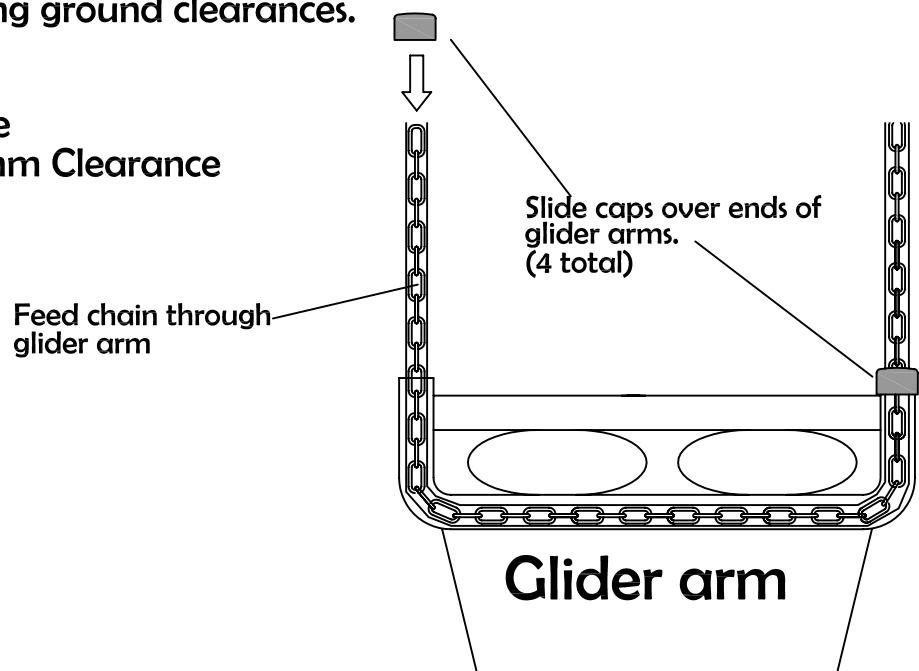
U.S. - 8" Clearance

European - 400mm Clearance



Note: Do not over tighten. Bolt should not protrude past lock nut.

Side view of glider



Note:

Before inserting chain through glider arm, trim plastic coating on chain with scissors or knife to reveal last whole link.

Remove partial link and discard. Do this on both ends of each chain to help with assembly.

Phase 16

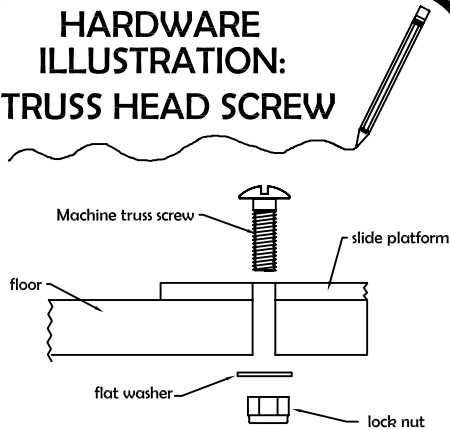
Slide attachment

Step 1: Center wave slide in opening opposite the rockwall.

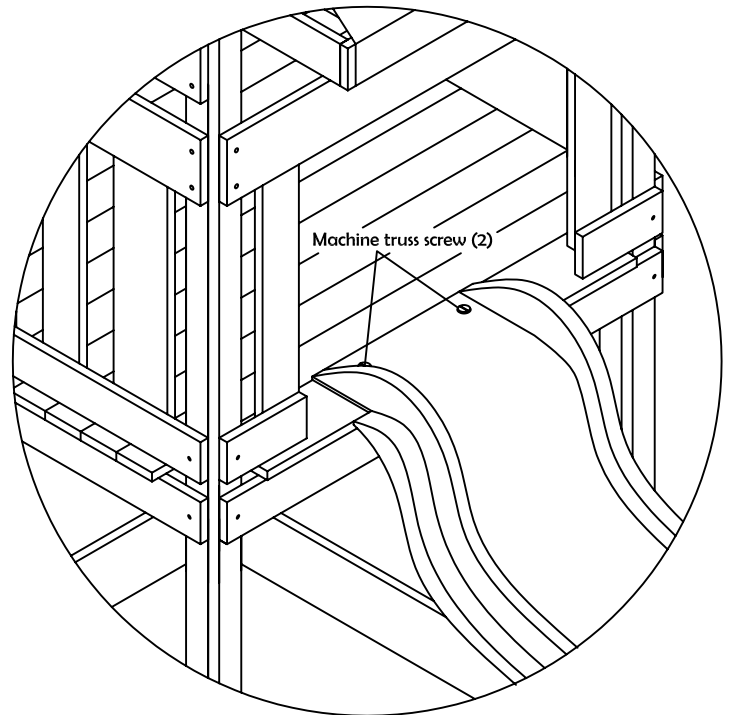
Step 2: Drill two 5/16" holes through the slide and through the fort floor where marked with indentions.

Step 3: Insert a 1 1/4" machine truss screw into each hole and secure with a 1/4" flat washer and lock nut from underside of floor.

HARDWARE ILLUSTRATION: TRUSS HEAD SCREW



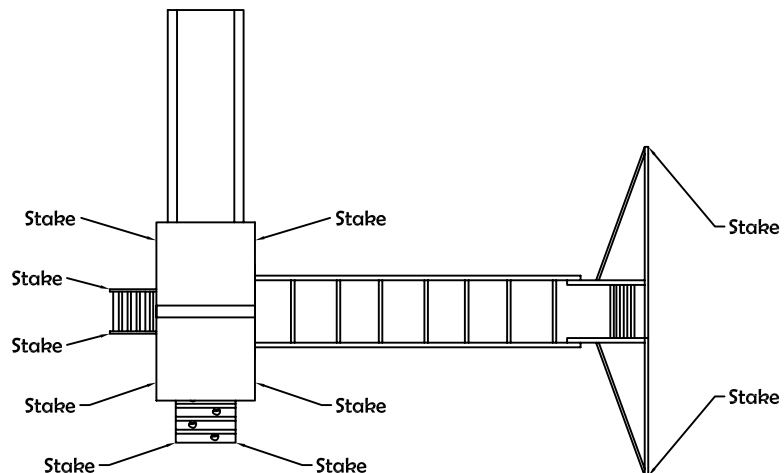
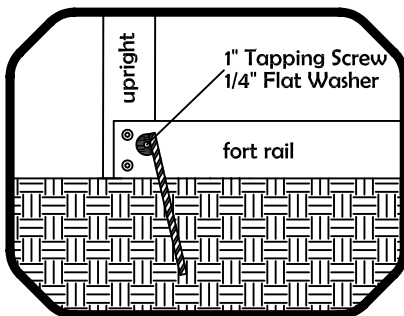
Place screw in drilled hole.
Attach flat washer and lock nut.
Hand tighten to make sure screw is in nut.
Secure with screwdriver.
DO NOT OVER TIGHTEN!



Phase 17

Step 1: Drive Stakes into ground where shown below and attach with 1" tapping screws as shown in detail.

Note: Failure to use stakes can void warranty & cause injury.



Final Step: Double check and make sure every bolt, screw and nut is tight, every board is secure, and enjoy.

Frequently Asked Questions

Q: What size of play area do you recommend around the playset so my child may play safe??

A: We recommend at least a six-foot play perimeter around the playset.

Q: My swing set seems to sway or rock too much. What is wrong?

A: Rocking is caused by uneven ground or obstructions such as rocks, roots, etc. under the ground rails. These obstructions should be removed and the ground underneath leveled to prevent rocking. If the fort itself is moving, it is usually caused because the fort is not staked down. Staking is required and will stop most of the movement.

Q: The end ladder is not straight up and down. What is wrong?

A: Nothing is wrong. The end ladder does not form a 90° angle. It has an angle to it.

Q: The S-hooks for my swings won't close. What is wrong?

A: The S-hook must be on a solid foundation when trying to close. It takes quite a few strokes, but the S-hook will close.

Q: The top ladder does not have holes for the swing hanger lags. Why not?

A: The top ladder is probably installed upside-down.

Q: My wood appears to be cracking. Is that a problem?

A: No, expansion and contraction of wood due to weather changes will cause slight cracking (technically called checking) and distortion. These are natural characteristics of wood and do not affect the structural integrity of the playset.

Q: My 2x4 boards do not measure 2"x4". Why not?

A: It has been common practice in the U.S. to use the rough-cut dimension from a sawmill to describe the width and height of a particular piece of lumber. Many retailers, designers, contractors and manufacturers utilize this description with a common and accepted knowledge that the actual size will vary from this description. Our sets are designed using the actual dimension. This ensures the sets will be assembled properly and be safe for the recommended use.

Q: How often should I re-stain my playset and what should I use?

A: The playset should be checked at least once a year depending on the weather. Lightly sand any rough areas and re-stain the set with a waterborne transparent stain.

Limited Warranty

Adventure Playsets Inc. insures to the original owner of our product, that the components of our set are free from defect in materials and will be warranted for one year from the date of purchase. In addition, all wooden components will be warranted against rot or insect damage for 12 Years to the original owner. All non-wood components will carry a one-year warranty only.

All defective parts that are discovered and reported in the first thirty days after purchase will be replaced at no charge to the registered customer. After thirty days of purchase shipping and handling charges for replacement warranty parts will be passed on to the consumer.

All returned goods will be accessed by our customer service department. We will not accept any goods without an authorization code. Our customer service department will give out all codes. Failure to supply authorization code with shipment will void all said warranty. Our customer service department can be reached at 1-800-856-4445.

This Limited Warranty does not cover the following:

- ❑ The cost of labor required to re-install or disassemble the defective component.
- ❑ The cost of air freight
- ❑ The cost of freight after the initial 30 days from purchase.
- ❑ Cosmetic defects that do not affect the structural integrity of the play center.
- ❑ Any abnormal conditions such as vandalism, improper installation, misuse or abuse, or improper maintenance.
- ❑ Damage done by nature such as wind, lightning, severe weather, etc...
- ❑ Natural defects of wood such as warping checking or any other physical properties of wood that do not present a hazard.

Adventure Playsets products have been carefully designed to insure your child's safety. Any modifications to your playsystem could result in serious injury as well as void all warranties.

Our playsets are designed for Residential use only, for children between the ages of 3 and 10, for a single-family dwelling. Commercial use such as nurseries, parks or schools, voids all warranties and liabilities.

Warranty claim procedure

If you are confident that your playsystem has been installed and maintained properly, and you have a warranty claim, proceed with the following steps:

1. We will need copy of your proof of purchase (Vendor sales receipt only.)
2. We require a brief written description of the warranty issue.
3. Photos of warranted parts and of the entire play system.

If **any** of the above steps are not completed, there may be delays in the completion of your claim, or possibly warranty cancellation.

Mail information to:

**Adventure Playsets
14201 I-27
Amarillo, Texas
79119**

or email at

custservice@adventureplaysets.com

Our customer service department will review the claim and make contact with the customer by mail or by phone. The customer will only pay for shipping and handling to and from factory if warranty is approved.

1-800-856-4445

Service department hours Monday thru Friday 9am to 5pm

Saturday 9am to 2pm

Central standard time

Customer Registration Card

Name: _____

Address: _____

City: _____ State: _____ Zip: _____

Home Phone: _____

Date of Purchase: _____ Date Stamped on Box: _____

Vendor Name: _____

City: _____ State: _____ Zip: _____

Unit Model: _____ Unit Name: _____

Please check the boxes below:

How old are you?

18-30 31-43 44-56 Older than 56

How would you rate the quality of our product?

Above Average Average Fair Poor

How would you rate the ease of assembly of our product?

Above Average Average Fair Poor

How would you rate our instructions?

Above Average Average Fair Poor

Would you recommend our product to friends & family?

Yes No

How old are your children?

3-4 5-6 7-8 9-10

Where did you hear about us?

Friend Store Display Advertisement Internet

Comments: _____

Customer Registration Card

**Do not forget to send in your registration card to the factory.
This card will validate your time of purchase for warranty items.**

Fold here

**Place
stamp
here**

**Adventure Playsets
14201 I-27
Amarillo Texas, 79119**